



Panel Fan

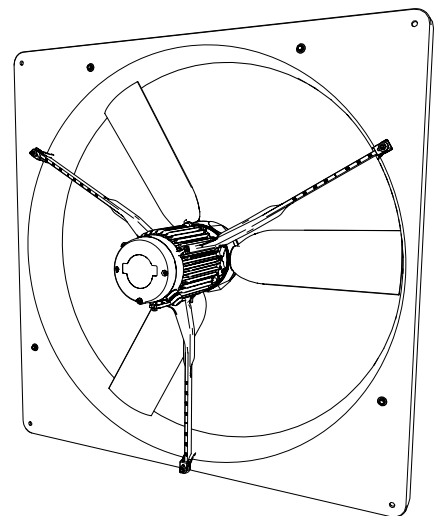
ENGLISH
Installation Instructions - Operating Instructions

NEDERLANDS
Installatie Instructies - Gebruiksaanwijzing

DEUTSCH
Installationsanleitung - Betriebsanleitung

FRANÇAIS
Instructions d'installation - Mode d'emploi

ESPAÑOL
Instrucciones de instalación - Instrucciones de uso



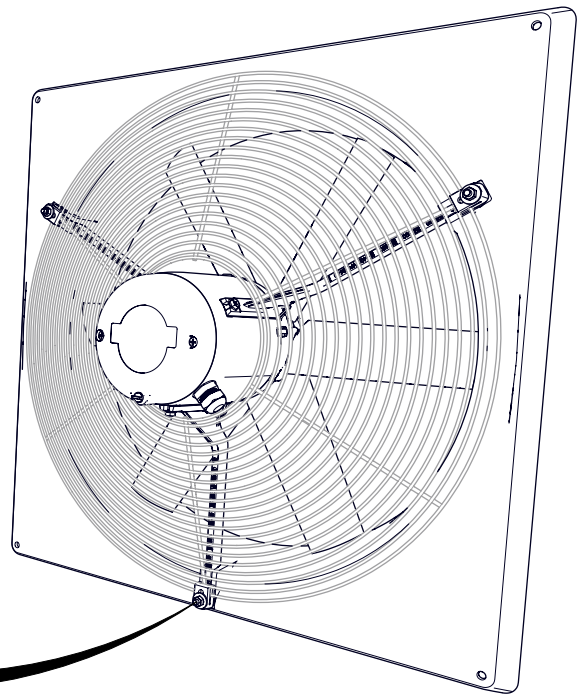
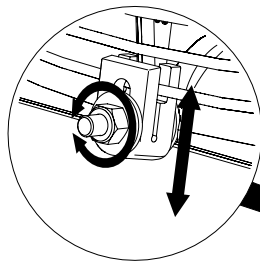
IMPORTANT - READ CAREFULLY BEFORE USE
BELANGRIJK - VOOR GEBRUIK ZORGVULDIG LEZEN
WICHTIG - VOR GEBRAUCH SORGFÄLTIG LESEN
IMPORTANT - LIRE ATTENTIVEMENT AVANT UTILISATION
IMPORTANTE - LEA ATENTAMENTE ANTES DE USAR

Table of Contents

English.....	4
Nederlands.....	11
Deutsch.....	19
Français	27
Español.....	35

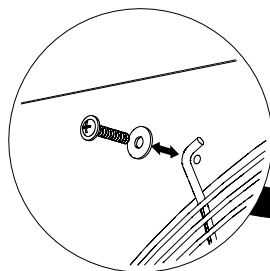
Ø 30-50cm / Ø 12-20"

3x

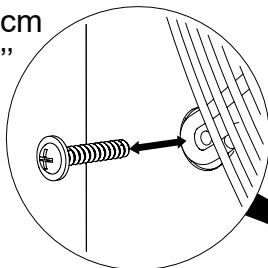


Ø 56-92cm / Ø 22-36"

4x 92cm
36"



3x 56-63-71cm
22-24-28"



3x 56-92cm
22-36"

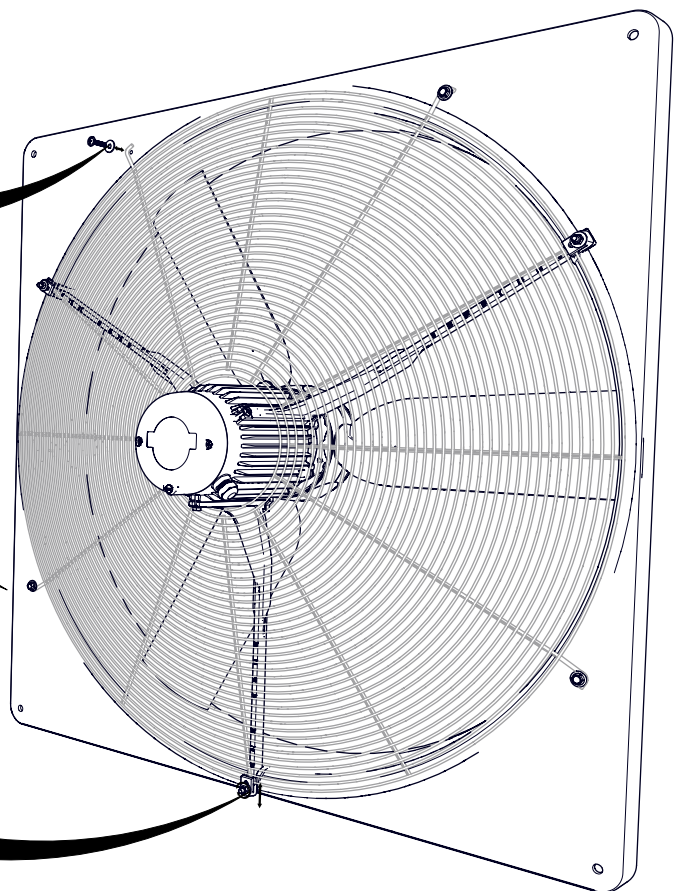
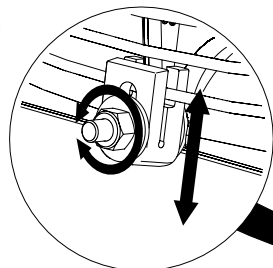


Table of Contents

1 Introduction 4

2 Safety..... 4

3 Information..... 5

 3.1 Overview 5

 3.2 Intended use..... 5

 3.3 Technical information 5

 3.4 Other information..... 5

4 Installation 5

 4.1 Mechanical 5

 4.2 Electrical..... 6

 4.2.1 Thermal protection..... 7

 4.2.2 Speed control 7

5 Commissioning 7

6 Operation 8

7 Maintenance..... 8

 7.1 Maintenance schedule 8

 7.2 Maintenance subjects..... 8

 7.3 Removing the guard for maintenance 8

8 Troubleshooting and repairs..... 9

9 End of life 10

10 EU Declaration of Conformity 10

 Glossary 10

1 Introduction

IMPORTANT: READ THESE INSTRUCTIONS CAREFULLY BEFORE USE
KEEP THESE INSTRUCTIONS FOR FUTURE REFERENCE

These instructions are a part of this fan and must be passed on to any subsequent owner and/or user.

Contact your supplier if there are parts of these instructions that you do not understand. Compliance with these instructions will ensure a safe and correct use of this fan.

Target groups

General


These instructions are intended for:

- Installers tasked with the assembly (if applicable) and/or mechanical installation of this fan.
- Electricians tasked with the electrical installation of this fan.
- Operators tasked with the operation of this fan.
- Maintenance technicians tasked with maintenance and troubleshooting of this fan.

Target group requirements:

- Installers must have sufficient relevant experience or training in the installation of this type of fans.
- Electricians must be qualified electricians.
- Operators must have sufficient relevant experience or training in operating this type of fans.

- Maintenance technicians must have sufficient relevant experience or training in maintaining and troubleshooting this type of fans.

 **NOTICE**
 This fan is for professional, industrial or commercial use only.

Packaging

If packaging materials are no longer required, dispose of them in accordance with regulations that apply in your area.

Modification of this fan

Modifying this fan without written permission of Vostermans Ventilation B.V. is not permitted.

Warranty will be void when this fan is modified without permission.

The EU Declaration of Conformity is no longer valid if this fan is modified without permission.

Legal notice / Disclaimer

The scope of delivery may vary from product images shown. This document was created with all due care. The information, instructions and parts listed are current on the date this document was issued.

Improper use

No liability is accepted for damages resulting from improper use.

2 Safety

Safety messages

Your safety and the safety of others are very important. Important safety messages are provided in these instructions.

READ THESE MESSAGES CAREFULLY

A safety message alerts you to potential hazards that could hurt you or others. Each safety message is preceded by a safety symbol and one of four signal words: DANGER, WARNING, CAUTION or NOTICE.

Explanation of the signal words used in this document







DANGER : You will be killed or seriously hurt if you do not follow instructions.


WARNING : You can be killed or seriously hurt if you do not follow instructions.

CAUTION : You can be hurt if you do not follow instructions.

NOTICE : Is used to address practices not related to physical injury.

Explanation of the safety symbols used

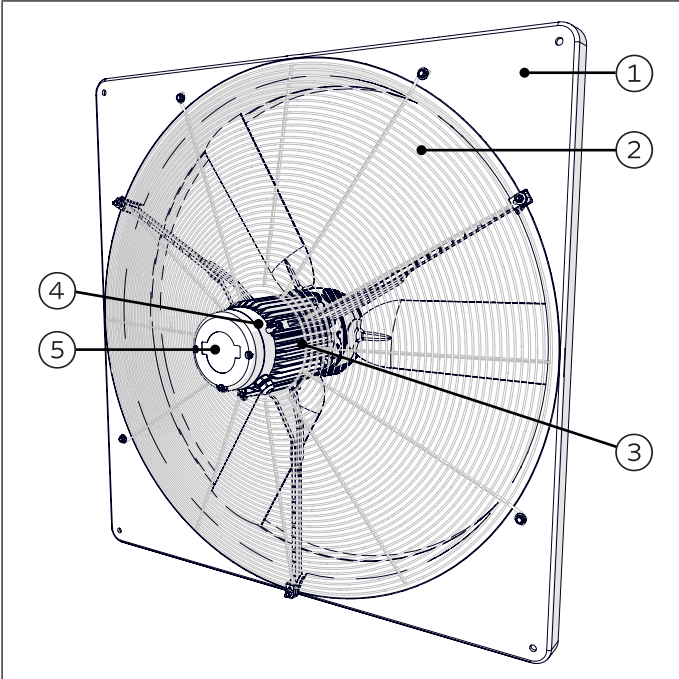
	General warning symbol
	Warning for electricity
	Warning for hot surfaces
	Warning for sharp elements
	Warning for automatic activation
	Warning for explosive materials

	General mandatory action sign
---	-------------------------------

Remark: not all of the listed symbols may be used in this document

3 Information

3.1 Overview



1	Housing / Square wall plate
2	Intake guard (optionally available accessory)
3	Electric motor
4	Motor rating plate
5	Fan rating plate

Pictures used in this instruction may deviate from your actual product as various motor and impeller models are used in this fan series.

Identification of the product

A rating plate is permanently attached to the Panel Fan and it must not be removed.

The rating plate displays electrical, mechanical and identification information.


Each fan has a unique 14-digit numerical serial number which is listed on the rating plate. The serial number must be provided in any future correspondence regarding this fan as it is the unique information used for identifying the fan in question.


A QR-code is displayed on the rating plate. This QR-code contains a link to an information page about this product. Here you can find a digital copy of these instructions as well as other information about this product.

3.2 Intended use

This Panel Fan is intended for use in general ventilation systems. The rugged design makes this Panel Fan especially suitable for general industrial and agricultural ventilation. Example applications are factories, workshops and pig, poultry and dairy barns.

This Panel Fan is for mounting on a wall or ceiling.

	NOTICE This fan is intended for moving air only.
---	--


	DANGER Do not use this fan in explosive or potentially explosive atmospheres.
---	--

3.3 Technical information

For detailed technical information please visit our website from which technical datasheets can be viewed and downloaded.

<http://productselector.vostermans.com>

3.4 Other information

	DANGER Ventilation system failure This fan is manufactured to the highest quality standards. Nevertheless, failure of a fan can always occur. This fan is intended to be used as a component of a ventilation system. Where the health and well-being of humans and/or animals is dependent on the functioning of this ventilation system, an appropriate backup system must be provided such that in the event of failure of the main system, sufficient air renewal is guaranteed to preserve the health and well-being of the humans and/or animals. An alarm system, which will operate even if the principal electricity supply to it has failed, must be provided to give warning of any failure in the system.
---	---

4 Installation

► Before commencing installation

1. Check the fan after you have received it and make sure it has not been damaged during transport.
2. Briefly rotate the impeller and/or motor shaft by hand to make sure they rotate freely.
3. Check all the information on the rating plate and verify that this fan is suitable for the intended application.

4.1 Mechanical

This fan can be installed in any orientation. Always use all four holes in the wall plate corners to fasten the fan to the wall or ceiling.

Condensate drain holes

The fan motor has drain holes to allow condensation that may form inside the motor to leave the motor. After installation, the drain hole at the lowest point of the motor must be open, the other drain holes must be closed.

Spare condensate drain plugs are supplied with the fan. Keep all the drain plugs as they must be temporarily reinserted in the open drain holes during wet cleaning.

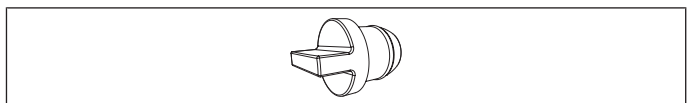


Illustration 1: Condensate drain plug

Always install the fan as such that the condensate drain holes are at the lowest possible position.

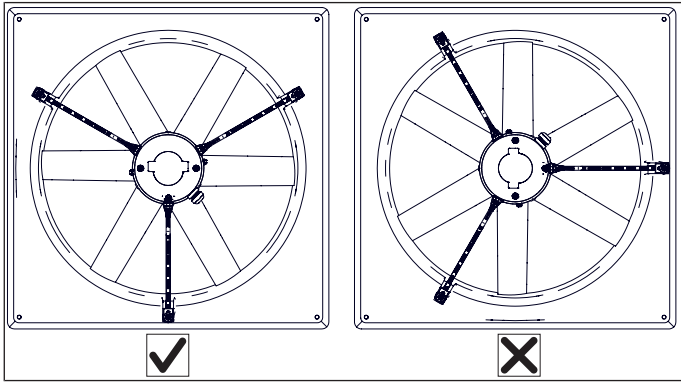


Illustration 2: Condensate drain hole at lowest possible position

Guarding



NOTICE

The fan must be guarded according to local regulations

An intake guard is available as accessory. Contact your supplier for more information.

4.2 Electrical

Wiring diagrams



NOTICE

Electrical connection must be carried out by a qualified electrician. Electrical connections must be made in accordance with local regulations.

Check the rating plate and verify that this fan is suitable for the available power supply.

For 3~ fan motors: check that STAR / DELTA is properly configured on the terminal block.

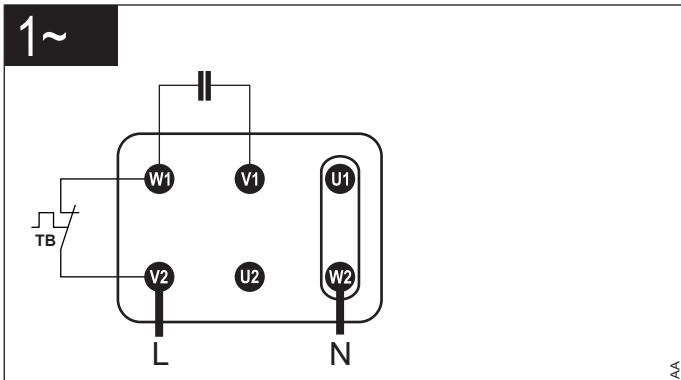


Illustration 3: 1~

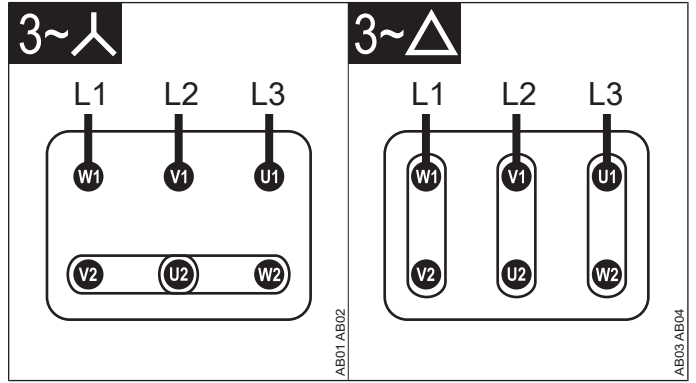


Illustration 4: 3~ STAR / DELTA (standard terminal block)

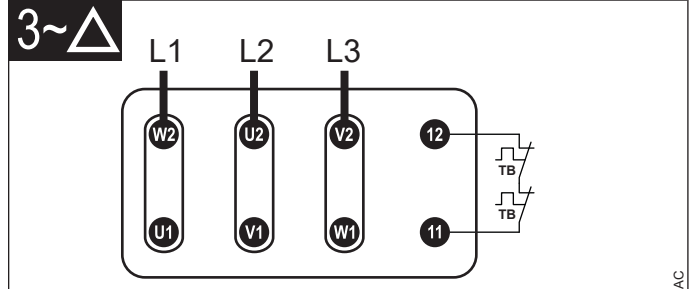
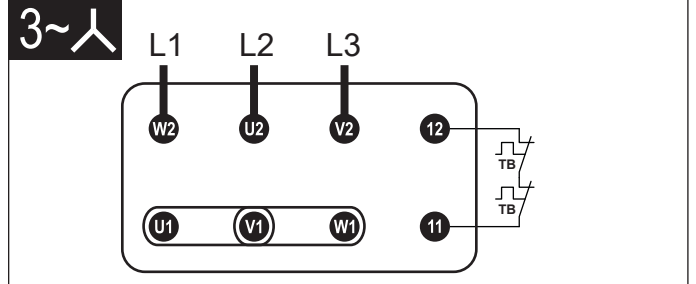


Illustration 5: 3~STAR / DELTA with optional thermal detectors (thermostats)

Control

This fan is supplied without a control or control system. A control or a control system must be provided for operation of the fan.

Grounding

 The fan must be grounded. Ground the fan according to local regulations.

Isolator

This fan is supplied without an electrical isolator. An electrical isolator must be provided to facilitate safe maintenance and troubleshooting.



NOTICE

Overcurrent protection

The use of an individual separate overcurrent protective device per fan is highly recommended.



NOTICE

Overload protection

The use of an individual separate overload protective device (Motor Protective Circuit Breaker) per fan is highly recommended.

4.2.1 Thermal protection

1~ fan motor thermal protection

Thermal detectors are built-in standard in 1~ fan motors. Thermal detectors are of the thermostat type TB: thermostat opening on increase of temperature.

In 1~ fan motors, the thermostat (TB) is by default wired in series with the phase (L) of the supply. The motor is as such self-resetting: when the motor overheats, the thermostat will switch off the motor automatically and once the motor has cooled down, the motor will start automatically again.

The presence of the text "Thermally Protected" on the rating plate and/or datasheet indicates that thermal protection is built-in the 1~ fan motor and that it is wired in series with the phase (L) of the supply.



WARNING

If the unexpected start of the motor by the thermostat can cause a hazard or is prohibited by local regulations, the thermostat must be connected into a control circuit that will not allow the motor to restart until the circuit is manually reset.

3~ fan motor thermal protection (optionally available)

Thermal detectors are optionally available in 3~ fan motors. Thermal detectors are of the thermostat type TB: thermostat opening on increase of temperature.

In 3~ fan motors, the thermostats (TB) are by default wired to separate terminals on the terminal block. An external control circuit can be connected here. **NOTICE! The thermostats in 3~ fan motors cannot be wired in series with the power supply.**

Maximum thermostat (TB) load

When connecting an external control circuit to the thermostats, the following load limits must be observed:

AC	≤ 500 V
	≤ 1.6 A
	cos φ ≥ 0.6
DC	≤ 12 V
	≤ 40 A

Table 1: Maximum thermostat (TB) load

4.2.2 Speed control

Verify that this fan is suitable for speed control. On the datasheet and rating plate the following (combination of) codes can be found:

F = suitable for frequency control / VFD (Variable Frequency Drive)

E = suitable for electronic voltage control (TRIAC / phase cutting)

T = suitable for transformer voltage control



WARNING

If none of these codes is listed, this fan cannot be speed controlled!

Variable Frequency Drive (FC / frequency control)

- Do not reduce the frequency to less than 20% of the nominal frequency as listed on the rating plate.
- When using a variable frequency drive, the wiring instructions of the variable frequency drive manufacturer must be followed.



WARNING

Do not increase the frequency beyond the nominal value as listed on the rating plate

Electronic Voltage Control (TRIAC / SOLID-STATE / phase cutting)

- Do not reduce the voltage to less than 40% of the nominal voltage as listed on the rating plate.
- Motor noise (humming) can occur due to this type of control

Transformer voltage control

- Do not reduce the voltage to less than 40% of the nominal voltage as listed on the rating plate.

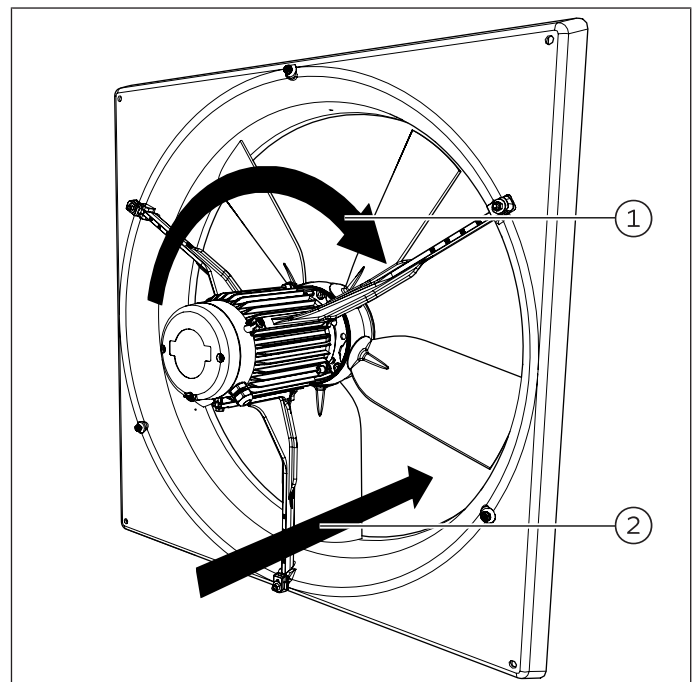
5 Commissioning

Before initial start-up verify that:

- Installation and electrical connection have been properly completed.
- No foreign material is present within the fan and fan housing.
- All necessary safety devices such as guards are in place.

Initial start-up

- Briefly switch on the power supply and check if the impeller rotates in the correct direction. Correct if necessary:
 - For 3~ fans interchange any 2 of the 3 phases of the supply.
 - For 1~ fans contact your supplier.
- Run the fan and check for quiet (no unusual noises), low vibration operation. Check that the current draw is within the full load limits as listed on the rating plate and datasheet.
- Refer to the troubleshooting section of these instructions if anything seems out of the ordinary.



1	Impeller rotation direction
2	Airflow direction

6 Operation

Always be alert when the fan is in operation. Immediately switch off and isolate the fan from the electrical supply if anything seems out of the ordinary. Refer to the troubleshooting section of these instructions if anything seems out of the ordinary.



DANGER

If the built-in thermal protection is in series with the power supply and is activated, the fan motor will automatically re-start after cooling down.

Risk of injury due to unexpected start.



CAUTION

The fan motor can get hot during operation

Do not touch it to prevent burns

Infrequent use

If the fan is used less frequently than once per month, run the fan each month at least 2 hours at full speed to avoid buildup of moisture in the fan motor and to keep the bearing lubricant in good condition.

7 Maintenance



DANGER

Switch off and completely isolate the fan from the electrical supply before commencing maintenance.



WARNING

All moving parts must be at a complete standstill before commencing maintenance.



WARNING

Even when electrically isolated, fans may be subjected to free spinning or „wind milling“. Secure the impeller physically to restrict rotational movement where this poses a risk.

7.1 Maintenance schedule

► Maintenance tasks – TO BE CARRIED OUT EVERY MONTH

1. Examine the fan housing for defects and remove any dirt that has accumulated.
2. Examine the motor and remove any dirt that has accumulated on the motor and between the motor cooling fins.
3. Examine the impeller for defects and remove any dirt that has accumulated.
4. Examine the condition of the guards (if fitted) and remove any dirt that has accumulated.

► Maintenance tasks – TO BE CARRIED OUT EVERY 3 MONTHS

1. Check the condition of the bearings.
2. Check the tightness of fasteners and fixings.

► Maintenance tasks – TO BE CARRIED OUT ANNUALLY

1. Only for 1~ fan motors: check the capacitor capacitance.

7.2 Maintenance subjects

Cleaning

In areas of application where high levels of contamination are present, cleaning intervals should be adjusted accordingly.

Cleaning is preferably done using a soft brush. Do not use any aggressive detergents, solvents or chemicals for cleaning.

Wet cleaning

Wet cleaning is allowed using low pressure clean water spray. Avoid directing water jets at bearings and electrical connections as much as possible.

When wet cleaning is planned, close any open condensate drain holes before commencing wet cleaning.



WARNING

Do not use a high pressure cleaner.

Water may penetrate electrical connections and bearings.

► After wet cleaning

1. Open the condensate drain hole at the lowest point of the fan motor.
2. Run the fan for 2 hours at full speed to remove any moisture that may have entered the fan motor.

Bearings

The bearings used in the fan and/or fan motor are maintenance free and greased for life. Average lifespan during normal operation is >30.000 hours.

Defects in the bearings can usually be detected by listening. When the shaft / impeller is rotated by hand, it should move freely with a smooth uniform sound. Squeaking or grinding noises indicate the bearings may require replacement.

Impeller

Cleaning the impeller is very important. A dirty impeller will suffer from imbalance resulting in vibrations. A dirty impeller will also result in reduced fan performance and reduced fan efficiency.

Capacitor (1~ fan motor)

Capacitor capacitance decreases slowly over time. Average lifespan is ± 30.000 hours. Replace the capacitor when the capacitance has dropped below the value as listed on the capacitor.

7.3 Removing the guard for maintenance


Only for when the optionally available guard is mounted. ►See also page 3

1. Loosen the nuts (3x, do not remove completely)
2. For 56-71cm / 22-28" only: Remove the screws (3x)
3. For 92cm / 36" only: Loosen the screws (4x, do not remove completely)
4. Slide the plastic clips outwards (3x)
5. Remove the guard

Reinstalling the guard:

1. Place guard back into position
2. Slide the plastic clips inwards (3x)
3. Fasten the nuts (3x)
4. For 56-92cm / 22-36": Fasten the screws (3x / 4x)

8 Troubleshooting and repairs

 **WARNING**
 Troubleshooting and repairs must be performed by **skilled persons only!**

Fault	Possible cause	Possible remedy
Airflow too high	Fan speed (rpm) too high	Check supply voltage and frequency
	System resistance lower than specified	Reduce fan speed (if fan can be speed controlled) Choose alternative fan
Airflow too low	System resistance higher than specified	Choose alternative fan Lower system resistance
Excessive vibration	Impeller imbalance -> impeller damaged	Replace the impeller
	Impeller imbalance -> impeller dirty	Clean the impeller
	Bearings are damaged or worn	Replace the bearings
Fan does not start	No power supplied to fan	Check all power supplies Check fuse/circuit breaker
	(If present) VFD (Variable Frequency Drive) defective	Check VFD (refer to VFD manufacturers' instructions)
Fan does not start (supply voltage at fan motor terminals is present)	Thermal protection activated (Fan motor has overheated)	Clean the motor Check for overloading of fan system (intake or exhaust blocked?) Check if the supply voltage is not too high or too low
	Impeller blocked	Remove the blockage
	Only for 1~ fan motors: wrong or defective capacitor	Replace the capacitor
	Temperature too low for the bearing grease	Do not operate the fan outside the ambient temperature range as specified on the rating plate and technical data sheet
Fan motor overheats while running	Fan is overloaded	Check for overloading of the fan system (intake or exhaust blocked?)
	Fan motor overheated due to dirt in cooling fins.	Clean the motor
	Supply voltage too high or too low	Check the power supply
	Incorrect supply frequency	Check the power supply
	Only for 3~ motors: phase voltage imbalance	Check the power supply
	Only for 1~ motors: wrong or defective capacitor	Replace the capacitor
Fan rotates in wrong direction	1~ fan motors: capacitor incorrectly connected	Connect according to wiring diagram (contact supplier)
	3~ fan motors: supply incorrectly connected	Swap any 2 of the 3 phases of the supply
Fan speed (rpm) is too low	Supply voltage is too low	Check the power supply
	Incorrect supply frequency	Check the power supply
	Only for 1~ fans: wrong or defective capacitor	Replace the capacitor
	Only for 3~ fans: STAR instead of DELTA connected	Connect as DELTA Check wiring diagram!
	3~ fan motors: Phase failure	Restore all 3 phases
High power consumption	Fan is overloaded	Check for overloading of the fan system (intake or exhaust blocked?)
	Fan speed is too high	Check the supply voltage and frequency
Unusual or excessive noises	Impeller hits fan housing	Check the installation and fixings and alignment
	Fan is operating in stall point	Lower the system resistance (Intake or exhaust blocked)

Fault	Possible cause	Possible remedy
	Bearings are damaged or worn	Replace the bearings

Detailed repair and replacement instructions are available from your supplier or Vostermans Ventilation B.V.

It is highly recommended to use genuine parts only for service and repairs.

9 End of life







Disposal

At the end of the life of this fan, dispose of it properly in accordance with regulations that apply in your area.

Recycling

The main materials used in the electric motor are copper, steel and aluminium.

Most of the fan parts have the recycling symbol with material code listed on them to facilitate proper recycling. Some parts are made of easy to identify materials such as steel, and have no recycling symbol on them.

Symbol	Material
	Polypropylene
	ABS (Acrylonitrile butadiene styrene)
	Polyamide
	Glass fibre reinforced polypropylene
	Unsaturated polyester – Sheet Moulding Compound
	Aluminium

10 EU Declaration of Conformity

EU Declaration of Conformity

Manufacturer and authorized to compile the technical file:

Vostermans Ventilation B.V.

Parlevinkerweg 54

5928 NV, Venlo, The Netherlands

We declare under our sole responsibility that the products:

Multifan Panel Fan with part numbers:

- starting with V2E* V4E* V6E* V8E* V2D* V4D* V6D* or V8D*

Fulfil all the relevant provisions of:

- Directive 2006/42/EC
- Directive 2014/30/EU
- Directive 2011/65/EU
- Directive 2012/19/EU
- Regulation (EU) N° 327/2011

The following harmonized standards were used:

- EN-ISO 12100:2010

- EN 60204-1:2018
- EN ISO 13854:2019
- EN ISO 13857:2019
- EN-ISO 14120:2015
- EN-ISO 13732-1:2008
- EN-ISO 11201:2010
- EN-ISO 11203:2009
- EN-ISO 11204:2010
- EN 61000-6-2:2005/AC:2005
- EN 61000-6-4:2007/A1:2011
- EN 61800-3:2004/A1:2012
- EN 63000:2018

The following other technical standards and specifications were used:

- ISO/TR 14121-2:2012
- EN 60204-1:2006/AC:2010
- ISO 9001:2015
- EN IEC 61000-6-2:2019
- EN IEC 61000-6-4:2019
- EN IEC 61800-3:2018
- EN 50581:2012
- EN ISO 5801:2017
- EN-ISO 12499:2008
- ISO 13348:2007
- EN-ISO 13857:2008
- EN 349:1993/A1:2008

Venlo, 1-3-2021

H.L.J. Vostermans, CEO



(Fan pro – DoC 2006_42_EC – v2.8)

Glossary

Explosive atmosphere

A mixture of air, under atmospheric conditions, with flammable substances in the form of gases, vapours, mists or dusts in which, after ignition has occurred, combustion spreads to the entire unburned mixture.

Skilled person

Individual with relevant technical education, training or experience to enable perceiving risks and avoiding hazards occurring during use of a product.

Inhoudsopgave

1	Introductie	11
2	Veiligheid	11
3	Informatie	12
3.1	Overzicht	12
3.2	Bedoeld gebruik	12
3.3	Technische informatie	12
3.4	Overige informatie	12
4	Installatie	12
4.1	Mechanisch	12
4.2	Elektrisch	13
4.2.1	Thermische beveiliging	14
4.2.2	Snelheidsregeling	14
5	Inbedrijfstelling	14
6	Gebruik	15
7	Onderhoud	15
7.1	Onderhoudsschema	15
7.2	Onderhoudsonderwerpen	15
7.3	Verwijderen van de afscherming voor onderhoud	16
8	Foutopsporing en reparaties	16
9	Einde van de levensduur	18
10	EU-verklaring van overeenstemming	18
	Begrippenlijst	18

1 Introductie

BELANGRIJK: LEES DEZE INSTRUCTIES ZORGVULDIG VOOR GEBRUIK

BEWAAR DEZE INSTRUCTIES VOOR TOEKOMSTIG GEBRUIK

Deze instructies maken deel uit van deze ventilator en moeten worden doorgegeven aan iedere volgende eigenaar en/of gebruiker.

Neem contact op met uw leverancier als er delen van deze instructies zijn die u niet begrijpt. Naleving van deze instructies garandeert een veilig en correct gebruik van deze ventilator.

Doelgroepen

Algemeen

Deze instructies zijn bedoeld voor:

- Installateurs die belast zijn met de assemblage (indien van toepassing) en/of mechanische installatie van deze ventilator.
- Elektriciens belast met de elektrische installatie van deze ventilator.
- Gebruikers die belast zijn met de bediening van deze ventilator.
- Onderhoudstechnici belast met het onderhoud en het oplossen van storingen aan deze ventilator.

Doelgroepvereisten:

- Installateurs moeten voldoende relevante ervaring of opleiding hebben in de installatie van dit type ventilatoren.
- Elektriciens moeten gekwalificeerde elektriciens zijn.
- Gebruikers moeten voldoende relevante ervaring of opleiding hebben in het bedienen van dit type ventilatoren.

- Onderhoudstechnici moeten voldoende relevante ervaring of opleiding hebben in het onderhoud en het oplossen van storingen van dit type ventilatoren.



LET OP

Deze ventilator is uitsluitend voor professioneel, industrieel of commercieel gebruik.

Verpakking

Als het verpakkingsmateriaal niet langer benodigd is, voer het dan af in overeenstemming met plaatselijk geldende voorschriften.

Wijziging van deze ventilator

Het wijzigen van deze ventilator zonder schriftelijke toestemming van Vostermans Ventilation B.V. is niet toegestaan.

De garantie vervalt wanneer deze ventilator wordt gewijzigd zonder toestemming.

De EU-Conformiteitsverklaring is niet langer geldig indien deze ventilator zonder toestemming wordt gewijzigd.

Wettelijke kennisgeving / Afwijzing van aansprakelijkheid

De leveringsomvang kan afwijken van getoonde productafbeeldingen. Dit document is met de grootst mogelijke zorgvuldigheid opgesteld. De opgesomde informatie, instructies en onderdelen zijn actueel op de datum van uitgifte van dit document.

Oneigenlijk gebruik

Voor schade die het gevolg is van oneigenlijk gebruik wordt geen aansprakelijkheid aanvaard.

2 Veiligheid

Veiligheidsmededelingen

Uw veiligheid en de veiligheid van anderen is erg belangrijk. Belangrijke veiligheidsmededelingen worden in deze instructies gegeven.

LEES DEZE MEDEDELINGEN ZORGVULDIG

Een veiligheidsmededeling waarschuwt u voor potentiële gevaren die u of anderen kunnen kwetsen. Elke veiligheidsmededeling wordt voorafgegaan door een veiligheidssymbool en één van de vier signaalwoorden: GEVAAR, WAARSCHUWING, VOORZICHTIG of LET OP.

Uitleg van de signaalwoorden gebruikt in deze instructies




GEVAAR : U loopt dodelijk of ernstig letsel op als u instructies niet opvolgt.





WAARSCHUWING : U loopt mogelijk dodelijk of ernstig letsel op als u instructies niet opvolgt.

VOORZICHTIG : U kunt letsel oplopen als u instructies niet opvolgt.

LET OP : Wordt gebruikt voor mededelingen die niet gerelateerd zijn aan het oplopen van letsel.

Uitleg van de gebruikte veiligheidssymbolen

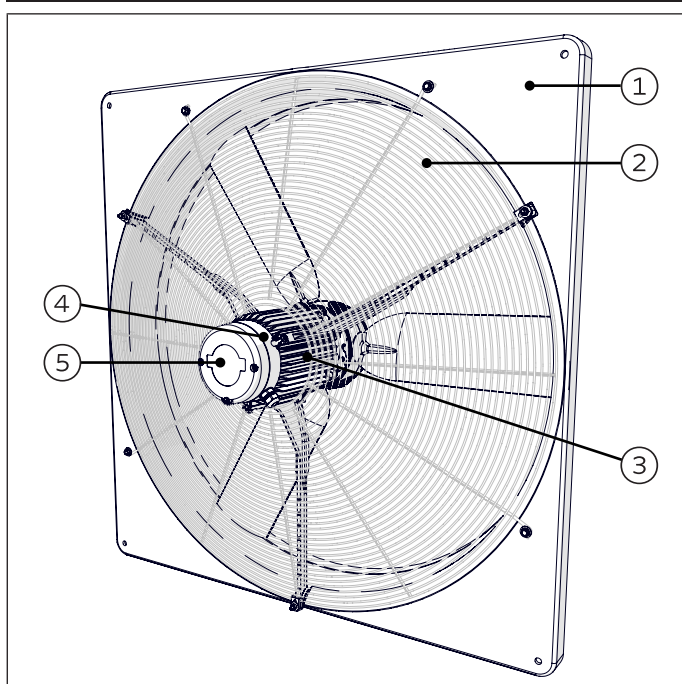
	Algemeen waarschuwingssymbool
	Waarschuwing voor elektriciteit
	Waarschuwing voor hete oppervlakken

	Waarschuwing voor scherpe delen
	Waarschuwing voor automatisch inschakelen
	Waarschuwing voor explosieve materialen
	Algemeen verplicht uit te voeren actie

Opmerking: mogelijk worden niet alle vermelde symbolen in deze instructies gebruikt.

3 Informatie

3.1 Overzicht



1	Behuizing / Vierkante wandplaat
2	Afscherming inlaatzijde (optioneel verkrijgbaar accessoire)
3	Elektrische motor
4	Motor typeplaat
5	Ventilator typeplaat

Afbeeldingen gebruikt in deze instructie kunnen afwijken van uw werkelijke product, aangezien in deze ventilatorserie verschillende motor- en waaiermodellen worden gebruikt.

Identificatie van het product

Een typeplaat is permanent bevestigd aan de Panel Fan en mag niet worden verwijderd.

Op de typeplaat zijn elektrische, mechanische en identificatiegegevens vermeld.

Elke ventilator heeft een uniek 14-cijferig numeriek serienummer dat op de typeplaat staat vermeld. Het serienummer moet worden vermeld in alle toekomstige correspondentie over deze ventilator aangezien dit de unieke informatie is die wordt gebruikt om de ventilator in kwestie te identificeren.

Een QR-code wordt weergegeven op de typeplaat. Deze QR-code bevat een link naar een informatiepagina over dit product. Hier vindt u een digitale kopie van deze instructie en andere informatie over dit product.

3.2 Bedoeld gebruik

Deze Panel Fan is bedoeld voor gebruik in algemene ventilatiesystemen. Het robuuste ontwerp maakt deze Panel Fan bijzonder geschikt voor algemene industriële en agrarische ventilatie. Voorbeelden van toepassingen zijn fabrieken, werkplaatsen, varkens-, pluimvee- en melkveestallen.

Deze Panel Fan is voor montage aan een muur of plafond.

LET OP

Deze ventilator is uitsluitend bedoeld voor het verplaatsen van lucht.

GEVAAR

Gebruik deze ventilator niet in explosieve of potentieel explosieve atmosfeer.

3.3 Technische informatie

Voor gedetailleerde technische informatie kunt u terecht op onze website, waar u technische gegevensbladen kunt bekijken en downloaden.

<http://productselector.vostermans.com>

3.4 Overige informatie

GEVAAR

Uitval van het ventilatiesysteem

Deze ventilator is vervaardigd volgens de hoogste kwaliteitsnormen. Toch kan het altijd voorkomen dat een ventilator uitvalt.

Deze ventilator is bedoeld voor gebruik als onderdeel van een ventilatiesysteem. Wanneer de gezondheid en het welzijn van mensen en/of dieren afhankelijk zijn van de werking van dit ventilatiesysteem, moet worden voorzien in een passend reservesysteem zodat, wanneer het hoofdsysteem uitvalt, voldoende luchtverversing wordt gegarandeerd om de gezondheid en het welzijn van de mensen en/of dieren in stand te houden.

Een alarmsysteem dat ook werkt zelfs als de hoofdelektriciteitsvoorziening uitvalt, moet worden voorzien om te waarschuwen voor storingen in het ventilatiesysteem.

4 Installatie

► Voor aanvang van installatie

1. Controleer de ventilator na ontvangst of deze niet beschadigd is tijdens het transport.
2. Draai de waaier en/of motoras kortstondig met de hand rond en controleer dat deze onbelemmerd ronddraaien.
3. Bekijk alle gegevens op de typeplaat en controleer of deze ventilator geschikt is voor de beoogde toepassing.

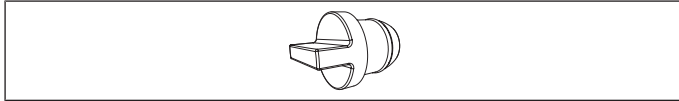
4.1 Mechanisch

Deze ventilator kan in elke positie worden geïnstalleerd. Gebruik altijd alle vier de gaten in de hoeken van de wandplaat om de ventilator aan de muur of het plafond te bevestigen.

Condensaatafvoergaten

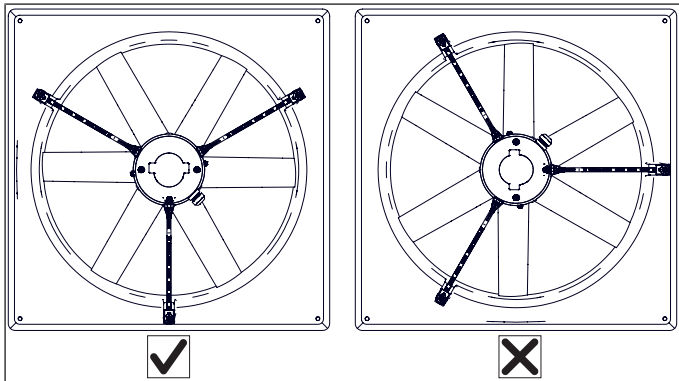
De ventilator motor is voorzien van afvoergaten zodat condenswater dat zich in de motor kan vormen, de motor kan verlaten. Na de montage moet het afvoergat op het laagste punt van de motor geopend zijn, de andere afvoergaten moeten gesloten zijn.

Reserve condensaatafvoergatstoppen worden bij de ventilator meegeleverd. Bewaar alle stoppen daar deze tijdelijk geplaatst moeten worden tijdens natte reiniging.



Afbeelding 1: Condensaatafvoergatstop

Monteer de ventilator altijd zo dat de condensaatafvoergaten zich op de laagst mogelijke positie bevinden.



Afbeelding 2: Condensaatafvoergat op de laagst mogelijke positie

Afscherming



LET OP

De ventilator moet worden afgeschermd volgens plaatselijk geldende voorschriften

Een afscherming voor de inlaatzijde is verkrijgbaar als accessoire. Neem contact op met uw leverancier voor meer informatie.

4.2 Elektrisch

Aansluitschema's

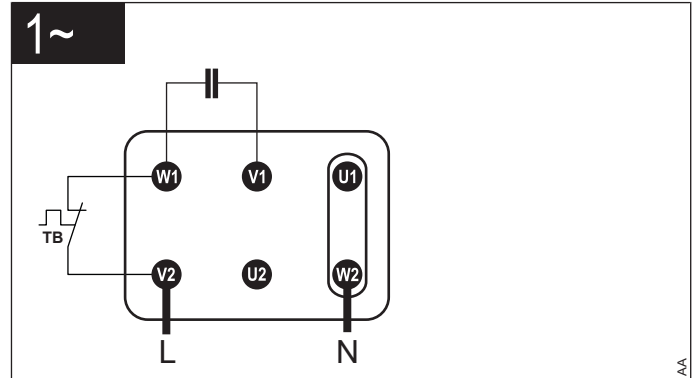


LET OP

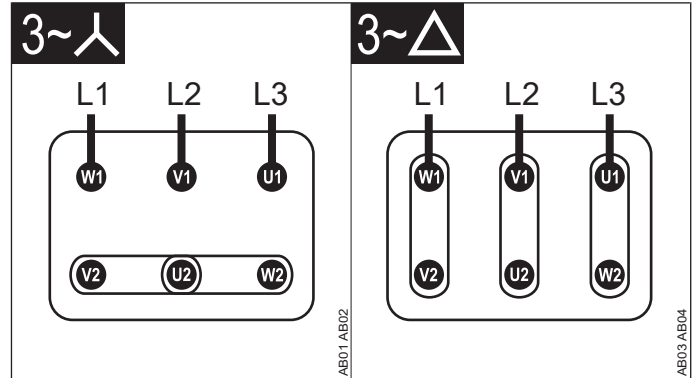
De elektrische aansluiting moet worden uitgevoerd door een gekwalificeerde elektricien. De elektrische aansluiting moet in overeenstemming met de plaatselijke voorschriften worden uitgevoerd.

Controleer de typeplaat en controleer of deze ventilator geschikt is voor de aanwezige stroomvoorziening.

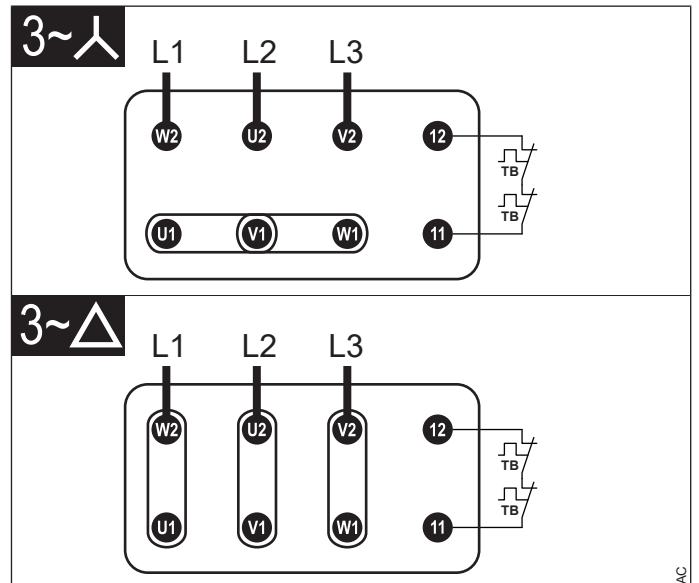
Bij 3~ ventilator motoren: controleer of STER / DRIEHOEK correct is geconfigureerd op het klemmenbord.



Afbeelding 3: 1~



Afbeelding 4: 3~ STER / DRIEHOEK (standaard klemmenbord)




Afbeelding 5: 3~ STER / DRIEHOEK met optionele thermische detectoren (thermostaten)

Besturing

Deze ventilator wordt geleverd zonder besturing of besturingssysteem. Voor de bediening van de ventilator moet een besturing of besturingssysteem worden voorzien.

Aarding

 De ventilator moet worden geaard. Aard de ventilator volgens de plaatselijk geldende voorschriften.

Scheidingsschakelaar

Deze ventilator wordt geleverd zonder scheidingsschakelaar. Er moet een scheidingsschakelaar worden voorzien om onderhoud en het oplossen van problemen veilig te kunnen uitvoeren.

 **LET OP****Overstroom beveiliging**

Het gebruik van een individuele afzonderlijke overstroombeveiliging per ventilator wordt ten zeerste aanbevolen.

 **LET OP****Overbelastingsbeveiliging**

Het gebruik van een individuele afzonderlijke overbelastingsbeveiliging (motorbeveiligingsschakelaar) per ventilator wordt ten zeerste aanbevolen.

4.2.1 Thermische beveiliging**1~ ventilator motor thermische beveiliging**

Thermische detectoren zijn standaard ingebouwd in 1~ ventilator motoren. Thermische detectoren zijn van het type thermostaat TB: thermostaat opent bij temperatuurstijging.

Bij 1~ ventilator motoren, is de thermostaat (TB) standaard in serie geschakeld met de fase (L) van de voeding. De motor is zodoende zelfresettend: Wanneer de motor oververhit raakt, schakelt de thermostaat de motor automatisch uit en zodra de motor is afgekoeld, start de motor automatisch opnieuw.

De aanwezigheid van de tekst "Thermally Protected" op de typeplaat en / of gegevensblad geeft aan dat thermische beveiliging is ingebouwd in de 1~ ventilator motor en dat deze in serie geschakeld is met de fase (L) van de voeding.

 **WAARSCHUWING**

Als het onverwacht starten van de motor door de thermostaat gevaar op kan leveren of verboden is volgens plaatselijke voorschriften, dan moet de thermostaat worden aangesloten op een regelcircuit welk de motor niet opnieuw kan laten starten totdat het circuit handmatig wordt gereset.



3~ ventilator motor thermische beveiliging (optioneel beschikbaar)

Thermische detectoren zijn optioneel beschikbaar in 3~ ventilator motoren. Thermische detectoren zijn van het type thermostaat TB: thermostaat opent bij temperatuurstijging.

Bij 3~ ventilator motoren, zijn de thermostaten (TB) standaard op aparte polen van het klemmenbord aangesloten. Een extern regelcircuit kan hier aangesloten worden. **LET OP! De thermostaten in 3~ ventilator motoren kunnen niet in serie met de voeding geschakeld worden.**

Maximale belasting van de thermostaat (TB)

Bij het aansluiten van een extern regelcircuit op de thermostaten, moeten de volgende belastingsgrenzen in acht worden genomen:

AC 	≤ 500 V
	≤ 1,6 A
	Cos φ ≥ 0,6
DC 	≤ 12 V
	≤ 40 A

Tabel 1: Maximale belasting van de thermostaat (TB)

4.2.2 Snelheidsregeling

Controleer of deze ventilator geschikt is voor snelheidsregeling. Op de typeplaat en het technische gegevensblad staan de volgende (combinatie van) codes weergegeven:

F = geschikt voor frequentieregeling / VFD (variabele frequentieregelaar)

E = geschikt voor elektronische spanningsregeling (TRIAC / fase afsnijding)

T = geschikt voor transformator spanningsregeling

 **WAARSCHUWING**

Als geen van deze codes is vermeld, kan deze ventilator niet snelheids geregeld worden!

Variabele frequentieregelaar (FC / frequentieregeling)

- Verlaag de frequentie niet tot minder dan 20% van de nominale frequentie zoals vermeld op de typeplaat.
- Bij gebruik van een frequentieregelaar moeten de aansluitvoorschriften van de fabrikant van de frequentieregelaar gevolgd worden.

 **WAARSCHUWING**

Verhoog de frequentie niet boven de nominale waarde zoals vermeld op de typeplaat

Electronische Voltage Regeling (TRIAC / solid-state / fase afsnijding)

- Verlaag de spanning niet tot minder dan 40% van de nominale spanning zoals vermeld op de typeplaat.
- Motorgeluid (brommen) kan optreden als gevolg van dit type regeling

Transformator spanningsregeling

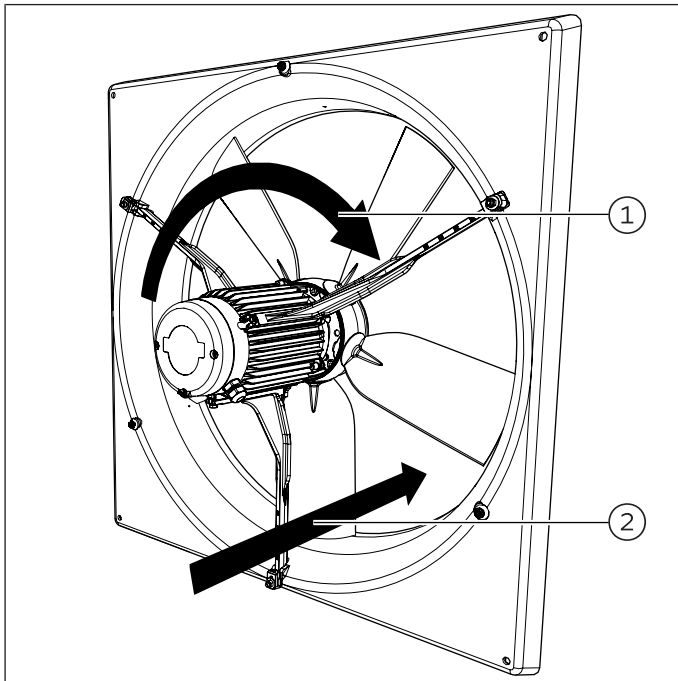
- Verlaag de spanning niet tot minder dan 40% van de nominale spanning zoals vermeld op de typeplaat.

5 Inbedrijfstelling**Controleer voorafgaand aan de eerste inbedrijfstelling dat:**

1. De installatie en elektrische aansluiting goed zijn uitgevoerd.
2. Er geen vreemde voorwerpen aanwezig zijn in de ventilator en ventilator behuizing.
3. Alle benodigde veiligheidsvoorzieningen zoals beschermroosters aangebracht zijn.

Eerste inbedrijfstelling

1. Schakel de voeding kort in en controleer of de waaier in de juiste richting draait. Corrigeer indien nodig:
 - Bij 3~ ventilatoren: wissel 2 van de 3 fasen van de voeding
 - Bij 1~ ventilatoren: neem contact op met uw leverancier
2. Laat de ventilator draaien en controleer dat deze zonder vreemde geluiden en trillingsarm werkt. Controleer of de stroomopname binnen de limieten voor volledige belasting valt zoals vermeld op het typeplaatje en het datablad.
3. Raadpleeg het hoofdstuk Foutopsporing in deze instructies als er iets ongewoon lijkt te zijn.



1	Draairichting van de waaier
2	Luchtstroomrichting

6 Gebruik

Wees altijd alert wanneer de ventilator in bedrijf is. Schakel de ventilator onmiddellijk uit en isoleer de ventilator van de stroomvoorziening als er iets ongewoon lijkt te zijn. Raadpleeg het hoofdstuk Foutopsporing in deze instructies als er iets ongewoon lijkt te zijn.



GEVAAR

Als de ingebouwde thermische beveiliging in serie staat met de voeding en wordt geactiveerd, start de ventilator motor na het afkoelen automatisch opnieuw.

Gevaar voor letsel door onverwachte start.



VOORZICHTIG

De ventilator motor kan heet worden tijdens gebruik

Raak deze niet aan om brandwonden te voorkomen

Infrequent gebruik.

Als de ventilator minder vaak dan één keer per maand wordt gebruikt, moet u de ventilator elke maand minstens 2 uur op volle snelheid laten draaien, om vochtophoping in de ventilator motor te voorkomen en het smeermiddel in de lagers in goede conditie te houden.

7 Onderhoud



GEVAAR

Schakel de ventilator uit en isoleer de de ventilator volledig van de stroomvoorziening voordat met het onderhoud wordt begonnen.



WAARSCHUWING

Alle bewegende delen moeten volledig stilstaan voordat met het onderhoud wordt begonnen.



WAARSCHUWING

Zelfs in elektrisch geïsoleerde toestand, kan de waaier van de ventilator ronddraaien door luchtstromingen ofwel "windmolen" gedrag. Borg de waaier fysiek om de draaibeweging te voorkomen wanneer deze een risico oplevert.

7.1 Onderhoudsschema

► Onderhoudstaken - MAANDELIJKS UIT TE VOEREN

1. Controleer de ventilatorbehuizing op beschadigingen en verwijder vuil dat zich afgezet heeft.
2. Controleer de motor en verwijder vuil dat zich heeft afgezet op de motor en tussen de koelribben van de motor.
3. Controleer de waaier op beschadigingen en verwijder vuil dat zich afgezet heeft.
4. Controleer de toestand van de afschermingen (indien geïnstalleerd) en verwijder vuil dat zich afgezet heeft.

► Onderhoudstaken - ELKE 3 MAANDEN UIT TE VOEREN

1. Controleer de toestand van de lagers.
2. Controleer of de bevestigingen en bevestigingsmiddelen goed vastzitten.

► Onderhoudstaken - JAARLIJKS UIT TE VOEREN

1. Alleen voor 1~ ventilator motoren: controleer de capaciteit van de condensator.

7.2 Onderhoudsonderwerpen

Reiniging

In toepassingsgebieden met hoge verontreinigingsniveaus moeten de reinigingsintervallen overeenkomstig worden aangepast.

Reiniging gebeurt bij voorkeur met een zachte borstel. Gebruik voor het reinigen geen agressieve reinigingsmiddelen, oplosmiddelen of chemicaliën.

Natte reiniging

Natte reiniging is toegestaan met schoon water onder lage druk. Voorkom het richten van waterstralen op lagers en elektrische aansluitingen zoveel mogelijk.

Wanneer natte reiniging gepland is, sluit open condensataafvoergaten voorafgaand aan natte reiniging.



WAARSCHUWING

Gebruik geen hoge druk reiniger.

Water kan elektrische aansluitingen en lagers binnendringen.

► Na natte reiniging

1. Open het condensataafvoergat op het laagste punt van de ventilator motor.
2. Laat de ventilator 2 uur op volle snelheid draaien om eventueel binnengedrongen vocht te verwijderen.

Lagers

De lagers in de ventilator zijn onderhoudsvrij en gesmeerd voor het leven. De gemiddelde levensduur bij normaal gebruik van de ventilator is >30.000 uur.

Defecten in de lagers kunnen meestal worden gedetecteerd door te luisteren. Wanneer de as/waaier met de hand wordt gedraaid, moet deze vrij kunnen bewegen met een gelijkmatig en soepel geluid. Piepende of krakende geluiden zijn een aanwijzing dat de lagers mogelijk vervangen moeten worden.

Waaier

Het reinigen van de waaier is erg belangrijk. Een vervuilde waaier heeft last van onbalans wat trillingen als gevolg heeft. Een vervuilde waaier leidt ook tot verminderde ventilator prestaties en een verminderd ventilator rendement.

Condensator (1~ ventilator motor)

Condensator capaciteit neemt langzaam af in de tijd. De gemiddelde levensduur is ± 30.000 uur. Vervang de condensator wanneer de capaciteit onder de waarde is gedaald die op de condensator staat vermeld.

7.3 Verwijderen van de afscherming voor onderhoud

Alleen wanneer de optioneel verkrijgbare afscherming is geïnstalleerd. [▶Zie ook pagina 3]


1. Draai de moeren los (3x, niet volledig verwijderen)

2. Alleen voor 56-71cm / 22-28" : Verwijder de schroeven (3x)
3. Alleen voor 92cm / 36" : Draai de schroeven los (4x, niet volledig verwijderen)
4. Schuif de kunststof clips naar buiten (3x)
5. Verwijder de afscherming

Opnieuw installeren van de afscherming:

1. Plaats de afscherming terug in positie
2. Schuif de kunststof clips naar binnen (3x)
3. Draai de moeren vast (3x)
4. Voor 56-92cm / 22-36" : Schroeven vastdraaien (3x/4x)

8 Foutopsporing en reparaties

 **WAARSCHUWING**
Foutopsporingen en reparaties mogen alleen door vakmensen worden uitgevoerd!

Fout	Mogelijke oorzaak	Mogelijke oplossing
Luchtstroom te hoog	Ventilator snelheid (tpm) te hoog	Controleer voedingsspanning en frequentie
	Weerstand van het ventilatiesysteem lager dan gespecificeerd	Verlaag de snelheid van de ventilator (alleen als de ventilator geschikt is voor snelheidsregeling) Pas een andere ventilator toe
Luchtstroom te laag	Weerstand van het ventilatiesysteem hoger dan gespecificeerd	Pas een andere ventilator toe Verlaag de weerstand van het ventilatiesysteem
Overmatige trillingen	Onbalans van de waaier -> beschadigde waaier	Vervang de waaier
	Onbalans van de waaier -> waaier vuil	Reinig de waaier
	Lagers zijn beschadigd of versleten	Vervang de lagers
Ventilator start niet	Geen stroomtoevoer naar ventilator	Controleer alle stroomvoorzieningen Controleer zekering / installatieautomaat
	(indien aanwezig) VFD (frequentieregelaar) defect	VFD controleren (zie instructies van de VFD-fabrikant)
Ventilator start niet (Voedingsspanning is aanwezig op de klemmen van de ventilatormotor)	Thermische beveiliging is geactiveerd (Ventilator motor is oververhit)	Maak de motor schoon Controleer of het ventilatiesysteem niet overbelast is (inlaat of uitlaat geblokkeerd?) Controleer of de voedingsspanning niet te hoog of te laag is
	Waaier geblokkeerd	Verwijder de blokkade
	Alleen voor 1~ ventilator motoren: verkeerde of defecte condensator	Vervang de condensator
	Temperatuur te laag voor het lagervet	Gebruik de ventilator niet buiten het omgevingstemperatuurbereik zoals aangegeven op de typeplaat en het technische gegevensblad
Oververhitting van de ventilator motor tijdens bedrijf	Ventilator overbelast	Controleer of het ventilatiesysteem niet overbelast is (inlaat of uitlaat geblokkeerd?)
	Ventilator motor oververhit omdat er vuil tussen de koelribben zit.	Maak de motor schoon
	Voedingsspanning te hoog of te laag	Controleer de stroomvoorziening
	Onjuiste frequentie van de voeding	Controleer de stroomvoorziening
	Alleen voor 3~ motoren: fase-ongelijkheid van de spanning	Controleer de stroomvoorziening
	Alleen bij 1~ motoren: verkeerde of defecte condensator	Vervang de condensator

Fout	Mogelijke oorzaak	Mogelijke oplossing
Verkeerde draairichting van de ventilator	1~ ventilator motoren: condensator verkeerd aangesloten	Aansluiten volgens aansluitschema (neem contact op met de leverancier)
	3~ ventilator motoren: voeding verkeerd aangesloten	Verwissel onderling 2 van de 3 fasen van de voeding
Ventilator snelheid (rpm) te laag	Voedingsspanning is te laag	Controleer de stroomvoorziening
	Onjuiste frequentie van de voeding	Controleer de stroomvoorziening
	Alleen voor 1~ ventilatoren: verkeerde of defecte condensator	Vervang de condensator
	Alleen voor 3~ ventilatoren: STER in plaats van DRIEHOEK aangesloten	In DRIEHOEK aansluiten Controleer het aansluitschema!
	3~ ventilator motoren: Fase uitval	Herstel alle 3 de fasen
Hoge stroomopname	Ventilator overbelast	Controleer of het ventilatiesysteem niet overbelast is (inlaat of uitlaat geblokkeerd?)
	Ventilatorsnelheid is te hoog	Controleer de voedingsspanning en de frequentie
Ongebruikelijke of excessieve geluiden	Waaier raakt de ventilator behuizing	Controleer de installatie, de bevestigingen en de uitlijning
	De ventilator werkt in overtrekkingsgebied	Verlaag de weerstand van het systeem (Inlaat of uitlaat geblokkeerd)
	Lagers zijn beschadigd of versleten	Vervang de lagers

Gedetailleerde reparatie- en vervangingsinstructies zijn verkrijgbaar bij uw leverancier of bij Vostermans Ventilation B.V.

Het wordt ten zeerste aanbevolen om alleen originele onderdelen te gebruiken voor service en reparaties.







9 Einde van de levensduur**Verwijdering**

Aan het einde van de levensduur van dit product, voer het product af in overeenstemming met de voorschriften die van toepassing zijn in uw regio.

Recyclen

De hoofdbestanddelen die gebruikt zijn in de elektromotor zijn koper, staal en aluminium.

De meeste onderdelen van de ventilator zijn voorzien van het recycling symbool samen met de bijbehorende materiaal code om een goede recycling te vergemakkelijken. Sommige onderdelen zijn gemaakt van gemakkelijk te identificeren materialen zoals staal, en deze onderdelen zijn niet voorzien van een recyclingsymbool.

Symbool	Materiaal
	Polypropyleen
	ABS (Acrylonitril-butadieen-styreen)
	Polyamide
	Glasvezel versterkt polypropyleen
	Onverzadigd polyester - Sheet Moulding Compound
	Aluminium

10 EU-verklaring van overeenstemming**EU-Conformiteitsverklaring****Fabrikant en bevoegd om het technisch dossier samen te stellen:**

Vostermans Ventilation B.V.

Parlevinkerweg 54

5928 NV, Venlo, Nederland

Wij verklaren onder onze eigen verantwoordelijkheid dat de producten:

Multifan Panel Fan met artikelnummers:

- beginnend met V2E*, V4E*, V6E*, V8E*, V2D*, V4D*, V6D* of V8D*

Voldoen aan alle relevante bepalingen van:

- Richtlijn 2006/42/EU
- Richtlijn 2014/30/EU
- Richtlijn 2011/65/EU
- Richtlijn 2012/19/EU
- Verordening (EU) N° 327/2011

De volgende geharmoniseerde normen werden gehanteerd:

- EN-ISO 12100:2010
- EN 60204-1:2018
- EN ISO 13854:2019

- EN ISO 13857:2019
- EN-ISO 14120:2015
- EN-ISO 13732-1:2008
- EN-ISO 11201:2010
- EN-ISO 11203:2009
- EN-ISO 11204:2010
- EN 61000-6-2:2005/AC:2005
- EN 61000-6-4:2007/A1:2011
- EN 61800-3:2004/A1:2012
- EN 63000:2018

De volgende andere normen en technische specificaties werden gehanteerd:

- ISO/TR 14121-2:2012
- EN 60204-1:2006/AC:2010
- ISO 9001:2015
- EN IEC 61000-6-2:2019
- EN IEC 61000-6-4:2019
- EN IEC 61800-3:2018
- EN 50581:2012
- EN ISO 5801:2017
- EN-ISO 12499:2008
- ISO 13348:2007
- EN-ISO 13857:2008
- EN 349:1993/A1:2008

Venlo, 1-3-2021

H.L.J. Vostermans, CEO



(Fan pro - DoC 2006_42_EC - v2.8)

Begrippenlijst**Explosieve atmosfeer**

Een mengsel van lucht, onder atmosferische omstandigheden, met brandbare stoffen in de vorm van gassen, dampen, nevels of stof, waarin de verbranding zich na ontsteking uitbreidt tot het gehele onverbrande mengsel.

Vakmens

Individu met relevante technische opleiding, training of ervaring om risico's te kunnen waarnemen en risico's tijdens het gebruik van een product te kunnen vermijden.

Inhaltsverzeichnis

- 1 **Vorbemerkung** 19
- 2 **Sicherheit** 19
- 3 **Informationen** 20
 - 3.1 Übersicht 20
 - 3.2 Bestimmungsgemäßer Gebrauch 20
 - 3.3 Technische Informationen 20
 - 3.4 Sonstige Informationen 20
- 4 **Installation** 20
 - 4.1 Mechanisch 21
 - 4.2 Elektrisch 21
 - 4.2.1 Thermischer Schutz 22
 - 4.2.2 Drehzahlregelung 22
- 5 **Inbetriebnahme** 22
- 6 **Betrieb** 23
- 7 **Wartung** 23
 - 7.1 Wartungszeitplan 23
 - 7.2 Wartung Themen 23
 - 7.3 Entfernen der Schutzeinrichtung zur Wartung 24
- 8 **Fehlerbehebung und Reparatur** 24
- 9 **Ende der Lebensdauer** 26
- 10 **EU-Konformitätserklärung** 26
- Glossar 26

1 Vorbemerkung

WICHTIG: LESEN SIE DIESE ANLEITUNG VOR DER ANWENDUNG SORGFÄLTIG DURCH

BEWAHREN SIE DIESE ANLEITUNG ZUM SPÄTEREN NACHSCHLAGEN AUF

Diese Anleitung ist Teil von dieses Ventilator und muss an jeden nachfolgenden Eigentümer und/oder Benutzer weitergegeben werden.

Wenden Sie sich an Ihren Lieferanten, wenn es Teile dieser Anleitung gibt, die Sie nicht verstehen. Die Einhaltung dieser Anweisungen gewährleistet einen sicheren und korrekten Gebrauch dieses Ventilators.

Zielgruppen

Allgemein

Diese Anleitungen sind für:

- Installateure, die mit der Montage (falls zutreffend) und/oder mechanischen Installation dieses Ventilators beauftragt sind.
- Elektriker, die mit der elektrischen Installation dieses Ventilators beauftragt sind.
- Bediener, die mit dem Betrieb dieses Ventilators beauftragt sind.
- Wartungstechniker, die mit der Wartung und Fehlersuche an diesem Ventilator beauftragt sind.

Anforderungen der Zielgruppe:

- Installateure müssen über ausreichende einschlägige Erfahrung oder Ausbildung in der Installation dieser Art von Ventilatoren verfügen.
- Elektriker müssen qualifizierte Elektriker sein.

- Betreiber müssen über ausreichende einschlägige Erfahrung oder Ausbildung im Betrieb dieser Art von Ventilatoren verfügen.
- Wartungstechniker müssen über ausreichende einschlägige Erfahrung oder Ausbildung in der Wartung und Fehlerbehebung bei dieser Art von Ventilatoren verfügen.



HINWEIS

Dieser Ventilator ist nur für den professionellen, industriellen oder kommerziellen Gebrauch bestimmt.

Verpackung

Wenn die Verpackungsmaterialien nicht mehr benötigt werden, entsorgen Sie sie nach den in Ihrer Nähe geltenden Vorschriften.

Änderung dieses Ventilators

Änderung diesem Ventilator ohne schriftliche Genehmigung von Vostermans Ventilation B.V. ist nicht gestattet.

Garantie erlischt, wenn dieser Ventilator ohne Genehmigung geändert wird.

Die EU-Konformitätserklärung ist nicht mehr gültig, wenn dieser Ventilator ohne Genehmigung geändert wird.

Impressum / Disclaimer

Der Lieferumfang kann von den gezeigten Produktabbildungen abweichen. Dieses Dokument wurde mit größter Sorgfalt erstellt. Die aufgeführten Informationen, Anweisungen und Teile sind zum Zeitpunkt der Erstellung dieses Dokuments aktuell.

Fehlerhafte Verwendung

Für Schäden, die durch unsachgemäßen Gebrauch entstehen, wird keine Haftung übernommen.

2 Sicherheit

Sicherheitshinweise

Ihre Sicherheit und die Sicherheit anderer sind sehr wichtig. Wichtige Sicherheitshinweise sind in dieser Anleitung zur Verfügung gestellt.

LESEN SIE DIESE HINWEISE SORGFÄLTIG

Eine Sicherheitshinweise warnt vor möglichen Gefahren, die Sie oder andere verletzen könnten. Jede Sicherheitshinweise wird von einem Sicherheitszeichen und einer von vier Signalworten voran: GEFAHR, WARNUNG, VORSICHT oder HINWEIS.

Erläuterung der in diesem Dokument verwendeten Signalwörter



GEFAHR : Wenn Sie die Anweisungen nicht befolgen, werden Sie getötet oder schwer verletzt.






WARNUNG : Sie können getötet oder schwer verletzt werden, wenn Sie den Anweisungen nicht folgen.

VORSICHT : Sie können verletzt werden, wenn Sie Anweisungen nicht folgen.

HINWEIS : Wird verwendet, um Praktiken zu behandeln, die nicht mit Körperverletzungen zusammenhängen.

Erklärung der verwendeten Sicherheitssymbole

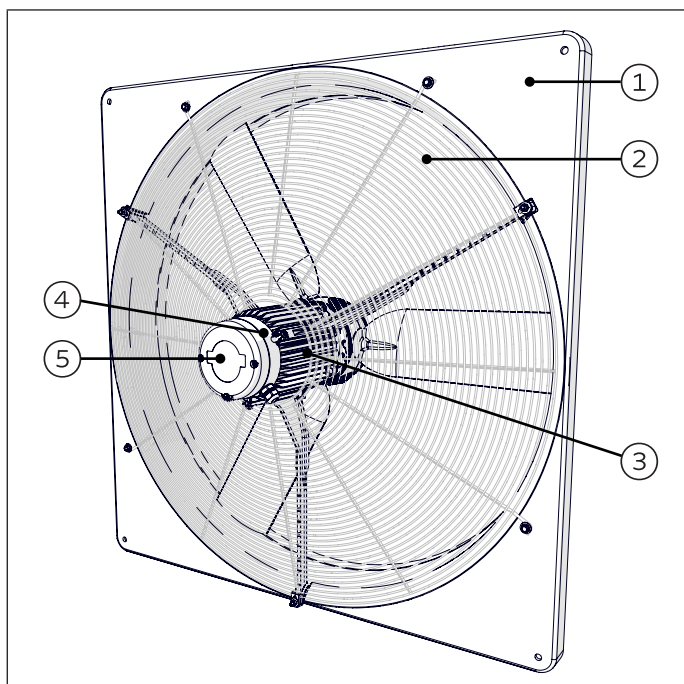
	Allgemeines Warnsymbol
	Warnung für Strom

	Warnung für heiße Oberflächen
	Warnung für scharfe Elemente
	Warnung für automatische Aktivierung
	Warnung für Explosivstoffe
	Allgemeines Gebotszeichen

Anmerkung: nicht alle aufgeführten Symbole können in diesem Dokument verwendet werden

3 Informationen

3.1 Übersicht



1	Gehäuse / Quadratische Wandplatte
2	Schutzeinrichtung Einlass (optional erhältliches Zubehör)
3	Elektromotor
4	Motor Typenschild
5	Ventilator Typenschild

Die in dieser Anleitung verwendeten Bilder können von Ihrem tatsächlichen Produkt abweichen, da in dieser Ventilatorenserie verschiedene Motor- und Laufradmodelle verwendet werden.

Identifikation dieses Produktes

Ein Typenschild ist dauerhaft an der Panel Fan angebracht und darf nicht entfernt werden.

Das Typenschild zeigt elektrische, mechanische und Identifizierungsinformationen.

Jeder Ventilator hat eine eindeutige 14-stellige numerische Seriennummer, die auf dem Typenschild angegeben ist. Die Seriennummer muss bei jeder zukünftigen Korrespondenz über diesen Ventilator angegeben werden da es sich um die eindeutige Information zur Identifizierung des betreffenden Ventilator handelt.

Ein QR-Code ist auf dem Typenschild angezeigt. Dieser QR-Code enthält einen Link zu einer Informationsseite über dieses Produkt. Hier finden Sie eine digitale Kopie dieser Anleitung sowie weitere Informationen zu diesem Produkt.

3.2 Bestimmungsgemäßer Gebrauch

Dieses Panel Fan ist für den Einsatz in allgemeinen Lüftungssystemen vorgesehen. Durch die robuste Bauweise ist dieses Panel Fan besonders für die allgemeine industrielle und landwirtschaftliche Lüftung geeignet. Anwendungsbeispiele sind Fabriken, Werkstätten und Schweine-, Geflügel- und Milchviehställe.

Diese Panel Fan ist für die Montage an einer Wand oder Decke vorgesehen.

HINWEIS

Dieser Ventilator ist nur für Luft zu bewegen.

GEFAHR

Verwenden Sie diesen Ventilator nicht in **explosiven oder explosionsgefährdeten** Bereichen.

3.3 Technische Informationen

Detaillierte technische Informationen finden Sie auf unserer Website, von der aus Sie technische Datenblätter einsehen und herunterladen können.

<http://productselector.vostermans.com>

3.4 Sonstige Informationen

GEFAHR

Ausfall der Lüftungssystem

Dieser Panel Fan ist nach den höchsten Qualitätsstandards hergestellt. Dennoch kann es immer zu einem Ausfall eines Ventilator kommen.

Dieser Ventilator ist für den Einsatz als Komponente einer Lüftungssystem vorgesehen. Wenn die Gesundheit und das Wohlergehen von Menschen und/oder Tieren von der Funktion dieses Belüftungssystems abhängt, muss ein geeignetes Backup-System vorgesehen werden, so dass im Falle eines Ausfalls des Hauptsystems eine ausreichende Lüftererneuerung gewährleistet ist, um die Gesundheit und das Wohlergehen von Menschen und/oder Tieren zu erhalten.

Es muss eine Alarmanlage vorhanden sein, die auch bei Ausfall der Hauptstromversorgung funktioniert und vor jedem Fehler im System warnt.

4 Installation

► Vor Anfang der Installation

- Überprüfen Sie den Ventilator nach Erhalt und vergewissern Sie sich, dass er während des Transports nicht beschädigt wurde.
- Drehen Sie das Laufrad und/oder die Motorwelle kurz von Hand, um sicherzustellen, dass sie sich frei drehen.
- Überprüfen Sie alle Angaben auf dem Typenschild und vergewissern Sie sich, dass dieser Ventilator für die vorgesehene Anwendung geeignet ist.

4.1 Mechanisch

Dieser Ventilator kann in beliebiger Ausrichtung installiert werden. Verwenden Sie immer alle vier Löcher in den Wandplattenecken, um den Ventilator an der Wand oder Decke zu befestigen.

Kondensat-Abflussloch

Der Ventilatormotor hat Ablassöffnungen, damit Kondenswasser, das sich im Inneren des Motors bilden kann, den Motor verlassen kann. Nach der Installation muss die Ablassöffnung am tiefsten Punkt des Motors offen sein, die anderen Ablassöffnungen müssen geschlossen sein.

Ersatz-Stopfen für die Kondensatablauflocher werden mit dem Ventilator geliefert. Bewahren Sie alle Ablassstopfen auf, da sie während der Nassreinigung vorübergehend wieder in die offenen Ablassöffnungen eingesetzt werden müssen.

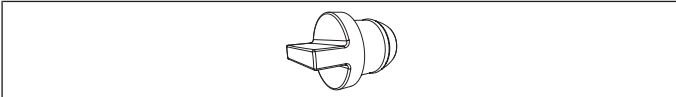


Abb. 1: Stopf für Kondensatablaufloch

Installieren Sie den Ventilator immer so, dass sich die Kondensat-Abflusslöcher an der tiefstmöglichen Stelle befinden.

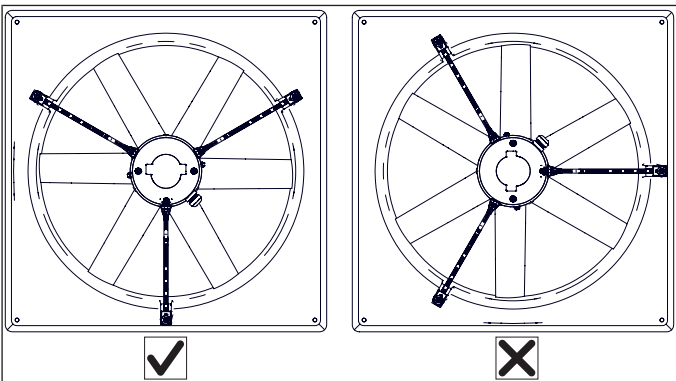


Abb. 2: Kondensat-Abflussloch an tiefstmöglicher Stelle

Schutzeinrichtungen



HINWEIS

Der Ventilator muss gemäß den örtlichen Vorschriften mit einer Schutzeinrichtung versehen werden

Eine Schutzeinrichtung für den Einlass ist als Zubehör erhältlich. Wenden Sie sich für weitere Informationen an Ihren Lieferanten.

4.2 Elektrisch

Schaltpläne



HINWEIS

Der elektrische Anschluss muss von einem qualifizierten Elektriker durchgeführt werden. Elektrische Anschlüsse müssen in Übereinstimmung mit den örtlichen Vorschriften vorgenommen werden.

Überprüfen Sie das Typenschild und vergewissern Sie sich, dass dieser Ventilator für die verfügbare Stromversorgung geeignet ist.

Bei 3~ Ventilatormotoren: Überprüfen Sie, ob STERN / DREIECK auf der Klemmenblock richtig konfiguriert ist.

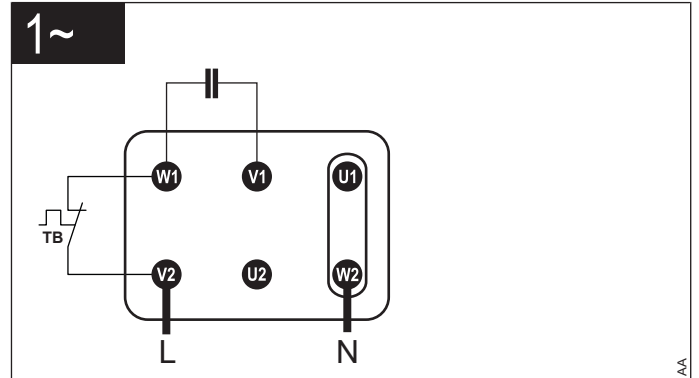


Abb. 3: 1~

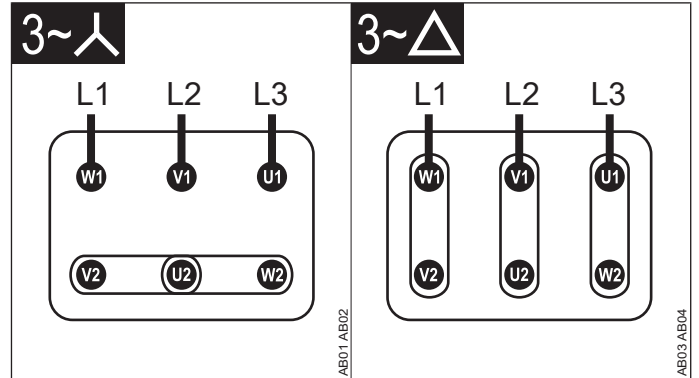


Abb. 4: 3~ STERN / DREIECK (Standard-Klemmenblock)

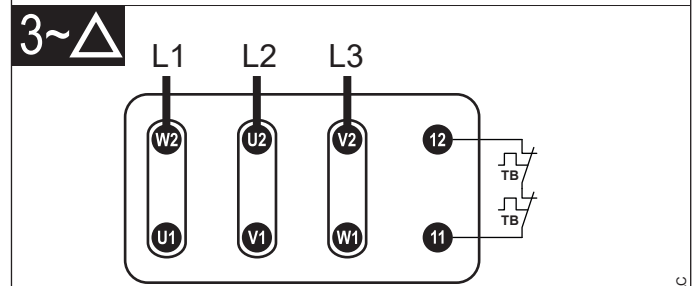
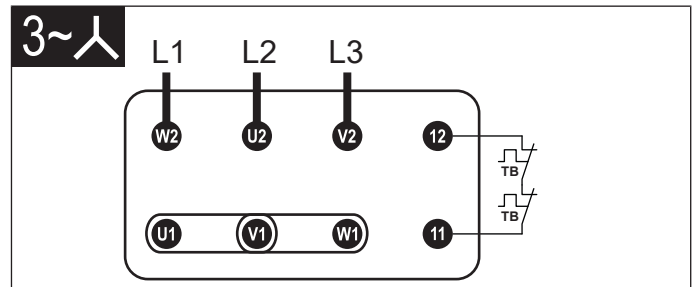


Abb. 5: 3~ STERN / DREIECK mit optionalen thermischen Detektoren (Thermostaten)

Steuerung

Dieser Ventilator wird ohne Steuerung oder Steuersystem geliefert. Für den Betrieb des Ventilators muss eine Steuerung oder ein Steuersystem vorgesehen werden.

Erdung

 Der Ventilator muss geerdet werden. Erden Sie den Ventilator gemäß den örtlichen Vorschriften.

Isolator

Dieser Ventilator wird ohne elektrischen Isolator geliefert. Es muss ein elektrischer Isolator vorgesehen werden, um die sichere Wartung und Fehlerbehebung zu erleichtern.

HINWEIS

Überstromschutz

Die Verwendung einer individuellen, separaten Überstromschutzzeineinrichtung pro Ventilator wird dringend empfohlen.

HINWEIS

Überlastungsschutz

Die Verwendung einer individuellen, separaten Überlastschutzzeineinrichtung (Motorschutzschalter) pro Ventilator wird dringend empfohlen.

4.2.1 Thermischer Schutz

1~ Thermischer Schutz des Ventilatormotors

Thermische Detektoren sind standardmäßig in 1~ Ventilatormotoren eingebaut. Thermische Detektoren sind vom Thermostattyp TB: Thermostat öffnet bei Temperaturerhöhung.

Bei 1~ Ventilatormotoren ist der Thermostat (TB) standardmäßig in Serien mit der Phase (L) der Versorgung verdrahtet. Der Motor ist als solcher selbstbrückstellend: Wenn der Motor überhitzt wird, schaltet das Thermostat den Motor automatisch ab, und wenn der Motor abgekühlt ist, startet er automatisch wieder.

Das Vorhandensein des Textes "Thermally Protected" auf dem Typenschild und/oder Datenblatt weist darauf hin, dass der thermische Schutz im 1~ Lüftermotor eingebaut ist und dass er in Serien mit der Phase (L) der Versorgung verdrahtet ist.

WARNUNG

Wenn der unerwartete Start des Motors durch das Thermostat eine Gefahr darstellen kann oder durch örtliche Vorschriften verboten ist, muss das Thermostat an einen Steuerkreis angeschlossen werden, der den Motor erst wieder starten lässt, wenn der Kreis manuell zurückgesetzt wird.



3~ Thermischer Schutz des Ventilatormotors (optional erhältlich)

Thermische Detektoren sind optional in 3~ Ventilatormotoren erhältlich. Thermische Detektoren sind vom Thermostattyp TB: Thermostat öffnet bei Temperaturerhöhung.

Bei 3~ Ventilatormotoren sind die Thermostate (TB) standardmäßig auf separate Klemmen auf der Klemmenblock verdrahtet. Hier kann ein externer Steuerkreis angeschlossen werden. **HINWEIS! Die Thermostate in 3~ Ventilatormotoren können nicht in Serien mit der Stromversorgung geschaltet werden.**

Maximale Thermostat (TB) Belastung

Beim Anschluss eines externen Steuerkreises an die Thermostate sind die folgenden Belastungsgrenzen zu beachten:

AC 	≤ 500 V
	≤ 1,6 A
	Cos φ ≥ 0,6
DC 	≤ 12 V
	≤ 40 A

Tab. 1: Maximale Thermostat (TB) Belastung

4.2.2 Drehzahlregelung

Überprüfen Sie, ob dieser Ventilator für Drehzahlregelung geeignet ist. Auf dem Datenblatt und dem Typenschild können folgende (Kombination von) Codierungen gefunden werden:

F = geeignet für Frequenzregelung / VFD (Variable Frequency Drive)

E = geeignet für elektronische Spannungsregelung (TRIAC / Phasenschnitt)

T = geeignet für Transformator-Spannungsregelung

WARNUNG

Wenn keiner dieser Codierungen angezeigt wird, kann dieser Ventilator nicht drehzahlregelt werden!

Frequenzregelung / VFD (Variable Frequency Drive)

- Reduzieren Sie die Frequenz nicht unter 20% der auf dem Typenschild angegebenen Nennfrequenz.
- Bei Verwendung eines Frequenzumrichters müssen die Verdrahtungsanweisungen des Herstellers des Frequenzumrichters befolgt werden.

WARNUNG

Erhöhen Sie die Frequenz nicht über den auf dem Typenschild angegebenen Nennwert hinaus

Elektronische Spannungsregelung (TRIAC / SOLID-STATE / Phasenschnitt)

- Reduzieren Sie die Spannung nicht unter 40% der auf dem Typenschild angegebenen Nennspannung.
- Durch diese Art der Regelung können Motorgeräusche (Brummen) auftreten

Transformator-Spannungsregelung

- Reduzieren Sie die Spannung nicht unter 40% der auf dem Typenschild angegebenen Nennspannung.

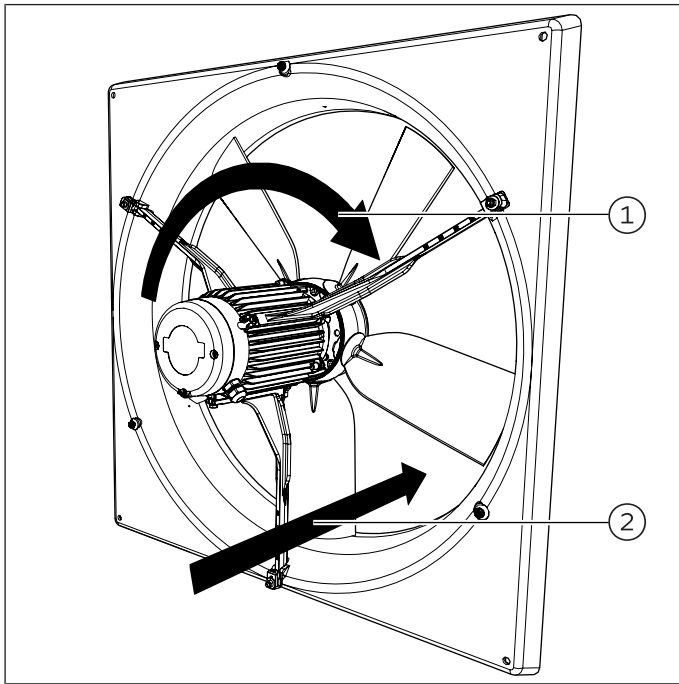
5 Inbetriebnahme

Überprüfen Sie dies vor der ersten Inbetriebnahme:

1. Installation und elektrischer Anschluss sind ordnungsgemäß abgeschlossen.
2. Innerhalb des Ventilators und des Ventilatorgehäuses befinden sich keine Fremdmaterialien.
3. Alle erforderlichen Sicherheitsvorrichtungen wie Schutzeinrichtungen vorhanden sind.

Erste Inbetriebnahme

1. Schalten Sie die Stromversorgung kurz ein und prüfen Sie, ob sich das Laufrad in die richtige Richtung dreht. Korrigieren Sie, falls erforderlich:
 - Bei 3~ Ventilatoren tauschen Sie 2 beliebige der 3 Phasen der Versorgung aus.
 - Bei 1~ Ventilatoren wenden Sie sich an Ihren Lieferanten.
2. Lässt den Ventilator laufen und überprüft ihn auf leisen (keine ungewöhnlichen Geräusche) und vibrationsarmen Betrieb. Prüfen Sie, ob die Stromaufnahme innerhalb der auf dem Typenschild und Datenblatt angegebenen Vollastgrenzen liegt.
3. Lesen Sie den Abschnitt zur Fehlerbehebung in dieser Anleitung, wenn etwas ungewöhnlich erscheint.



1	Drehrichtung des Laufrads
2	Luftstromrichtung

6 Betrieb

Immer wachsam sein, wenn der Lüfter in Betrieb ist. Schalten Sie den Ventilator sofort aus und trennen Sie ihn von der Stromversorgung, wenn etwas ungewöhnlich erscheint. Lesen Sie den Abschnitt zur Fehlerbehebung in dieser Anleitung, wenn etwas ungewöhnlich erscheint.

GEFAHR

Wenn der eingebaute Thermoschutz in Reihe mit der Stromversorgung liegt und aktiviert wird, startet der Motor des Ventilators nach der Abkühlung automatisch wieder.

Verletzungsgefahr durch unerwarteten Start.

VORSICHT

Der Lüftermotor kann während des Betriebs heiß werden

Berühren Sie es nicht um Verbrennungen zu vermeiden

Unregelmäßiger Gebrauch

Wenn der Ventilator weniger als einmal im Monat eingesetzt wird, lassen Sie den Ventilator jeden Monat mindestens 2 Stunden lang mit voller Drehzahl laufen, um Feuchtigkeitsbildung im Ventilatormotor zu vermeiden und das Lagerschmiermittel in gutem Zustand zu halten.

7 Wartung

GEFAHR

Schalten Sie den Ventilator vor Beginn der Wartung aus und trennen Sie ihn vollständig von der Stromversorgung.

WARNUNG

Alle beweglichen Teile müssen vor Beginn der Wartung vollständig stillstehen.

WARNUNG

Selbst wenn sie elektrisch isoliert sind, können Ventilatoren einem Freispinnen oder "Windmühlen" unterzogen werden. Sichern Sie das Laufrad, um die Drehbewegung zu begrenzen, wenn dies eine Gefahr darstellt.

7.1 Wartungszeitplan

► Wartungsarbeiten - JEDEN MONAT AUSFÜHREN

1. Überprüfen Sie das Lüftergehäuse auf Defekte und entfernen Sie angesammelten Schmutz.
2. Überprüfen Sie den Motor und entfernen Sie alle Verschmutzungen, die sich am Motor und zwischen den Motorkühlrippen angesammelt haben.
3. Überprüfen Sie das Flügelrad auf Defekte und entfernen Sie angesammelten Schmutz.
4. Prüfen Sie den Zustand der Schutzeinrichtungen (falls vorhanden) und entfernen Sie angesammelten Schmutz.

► Wartungsarbeiten - JEDE 3 MONATE AUSFÜHREN

1. Prüfen Sie den Zustand der Kugellager.
2. Prüfen Sie die Festigkeit von Verbindungselementen und Befestigungen.

► Wartungsaufgaben - JÄHRLICH AUSFÜHREN

1. Nur für 1 ~ Lüftermotoren: Überprüfen Sie die Kondensatorkapazität.

7.2 Wartung Themen

Reinigung

In Anwendungsbereichen mit hoher Verschmutzung sollten die Reinigungsintervalle entsprechend angepasst werden.

Die Reinigung erfolgt vorzugsweise mit einer weichen Bürste. Verwenden Sie keine aggressiven Reinigungsmittel, Lösungsmittel oder Chemikalien zur Reinigung.

Nassreinigung

Nassreinigung ist mit einem Niederdruck-Wasserstrahl erlaubt. Vermeiden Sie es, Wasserstrahlen so weit wie möglich auf Lager und elektrische Anschlüsse zu richten.

Wenn eine Nassreinigung geplant ist, schließen Sie alle offenen Kondensatabläuffnungen, bevor Sie mit der Nassreinigung beginnen.

WARNUNG

Keine Hochdruckreiniger benutzen.

Wasser kann in elektrische Verbindungen und Lager eindringen.

► Nach der Nassreinigung

1. Öffnen Sie die Kondensatabläuffnung am tiefsten Punkt des Ventilatormotors.
2. Lassen Sie den Ventilator 2 Stunden lang mit voller Drehzahl laufen, um Feuchtigkeit zu entfernen, die möglicherweise in den Ventilatormotor gelangt ist.

Lager

Die im Ventilator und/oder Ventilatormotor verwendeten Lager sind wartungsfrei und auf Lebensdauer geschmiert. Durchschnittliche Lebensdauer im Normalbetrieb > 30,000 Stunden.

Defekte in den Lagern können in der Regel durch das Hören erkannt werden. Wenn die Welle / das Laufrad von Hand gedreht wird, sollte es frei mit einem glatten gleichförmigen Schall bewegen. Quietsch- oder Schleifgeräusche deuten darauf hin, dass die Lager möglicherweise ausgetauscht werden müssen.

Laufrad

Die Reinigung des Laufrads ist sehr wichtig. Ein verschmutztes Laufrad leidet unter Unwucht, die zu Vibrationen führt. Ein verschmutztes Laufrad führt auch zu einer reduzierten Lüfterleistung und einem reduzierten Lüfterwirkungsgrad.

Kondensator (1 ~ Ventilatormotor)

Kondensatorkapazität verringert sich langsam über die Zeit. Durchschnittliche Lebensdauer beträgt ± 30,000 Stunden. Ersetzen Sie den Kondensator, wenn die Kapazität unter den auf dem Kondensator angegebenen Wert gefallen ist.

7.3 Entfernen der Schutzeinrichtung zur Wartung

Nur, wenn die optional erhältliche Schutzeinrichtung montiert ist. [▶Siehe auch Seite 3]


1. Lösen Sie die Muttern (3x, nicht komplett entfernen)

2. Nur für 56-71cm / 22-28": Entfernen Sie die Schrauben (3x)
3. Nur für 92cm / 36": Lösen Sie die Schrauben (4x, nicht komplett entfernen)
4. Schieben Sie die Kunststoffklammern nach außen (3x)
5. Entfernen Sie die Schutzeinrichtung

Die Schutzeinrichtung wieder montieren:

1. Schutzeinrichtung wieder in Position bringen
2. Schieben Sie die Kunststoffklammern nach innen (3x)
3. Ziehen Sie die Muttern an (3x)
4. Nur für 56-92cm / 22-36": Schrauben befestigen (3x / 4x)

8 Fehlerbehebung und Reparatur

 **WARNUNG**
Fehlersuche und Reparaturen dürfen nur von Fachpersonen durchgeführt werden!

Fehler	Mögliche Ursache	Mögliche Lösung
Luftstrom zu hoch	Ventilatorumdrehzahl (rpm) zu hoch	Prüfen Sie die Versorgungsspannung und -frequenz
	Systemwiderstand niedriger als spezifiziert	Ventilatorumdrehzahl reduzieren (wenn Ventilator drehzahl geregelt werden kann) Wählen Sie einen alternativen Ventilator
Luftstrom zu gering	Systemwiderstand höher als spezifiziert	Wählen Sie einen alternativen Ventilator Systemwiderstand reduzieren
Übermäßige Vibration	Flügelradunwucht -> Flügelrad beschädigt	Flügelrad ersetzen
	Flügelradunwucht -> Flügelrad verschmutzt	Flügelrad reinigen
	Lager beschädigt oder abgenutzt	Lager wechseln
Ventilator startet nicht	Ventilator wird nicht mit Strom versorgt	Überprüfen Sie alle Stromversorgungen Sicherung / Schutzschalter prüfen
	(Falls vorhanden) VFD (Variable Frequency Drive) defekt	VFD Überprüfen (siehe VFD Anweisungen des VFD Herstellers)
Ventilator startet nicht (Versorgungsspannung an den Klemmen vom Motor ist vorhanden)	Thermoschutz aktiviert (Ventilatormotor hat sich überhitzt)	Ventilatormotor reinigen Überprüfen Sie, ob das Lüftungssystem überlastet ist (Einlass oder Auslass blockiert?) Überprüfen Sie, ob die Versorgungsspannung nicht zu hoch oder zu niedrig ist
	Flügelrad blockiert	Entfernen Sie die Blockade.
	Nur für 1 ~ Ventilatormotoren: falscher oder defekter Kondensator	Startkondensator ersetzen
	Temperatur zu niedrig für Lagerfett	Betreiben Sie den Ventilator nicht außerhalb des Umgebungstemperaturbereichs, wie auf dem Typenschild und dem technischen Datenblatt angegeben
Der Motor des Ventilators überhitzt während des Betriebs.	Ventilator überlastet	Überprüfen Sie, ob das Lüftungssystem überlastet ist (Einlass oder Auslass blockiert?)
	Der Ventilatormotor ist durch Verschmutzung der Kühlrippen überhitzt.	Ventilatormotor reinigen
	Versorgungsspannung zu hoch oder zu niedrig	Überprüfen Sie alle Stromversorgungen
	Falsche Versorgungsfrequenz	Überprüfen Sie alle Stromversorgungen
	Nur bei 3~ Motoren: Phasenspannungsungleichheit	Überprüfen Sie alle Stromversorgungen
	Nur für 1~ Motoren: falscher oder defekter Kondensator	Startkondensator ersetzen

Fehler	Mögliche Ursache	Mögliche Lösung
Ventilator dreht in falscher Richtung	1 ~ Ventilatormotoren: Kondensator falsch angeschlossen	Anschluss nach Schaltplan (Kontakt zum Lieferanten)
	3 ~ Ventilatormotoren: Stromversorgung falsch angeschlossen	Tauschen Sie 2 der 3 Phasen der Stromversorgung
Ventilator Drehzahl (rpm) zu niedrig	Versorgungsspannung zu niedrig	Überprüfen Sie alle Stromversorgungen
	Falsche Versorgungsfrequenz	Überprüfen Sie alle Stromversorgungen
	Nur für 1~ Ventilatoren: falscher oder defekter Kondensator	Startkondensator ersetzen
	Nur für 3~ Ventilatoren: STAR statt DELTA angeschlossen	Als DELTA anschließen Schaltplan beachten!
	3~ Ventilatormotoren: Phasenausfall	Alle 3 Phasen wiederherstellen
Hohe Leistungsaufnahme	Ventilator überlastet	Überprüfen Sie, ob das Lüftungssystem überlastet ist (Einlass oder Auslass blockiert?)
	Ventilator Drehzahl zu hoch.	Prüfen Sie die Versorgungsspannung und -frequenz
Ungewöhnliche oder übermäßige Geräusche	Laufwerk trifft auf Ventilatorgehäuse	Überprüfen Sie die Installation und Befestigung sowie die Ausrichtung
	Der Ventilator arbeitet im Überziehungsdruckpunkt	Systemwiderstand reduzieren (Einlass- oder Auslass blockiert)
	Lager beschädigt oder abgenutzt	Lager wechseln

Detaillierte Reparatur- und Austauschweisungen sind bei Ihrem Lieferanten oder bei Vostermans Ventilation B.V. erhältlich.

Es wird dringend empfohlen, für Service und Reparaturen ausschließlich Originalteile zu verwenden.

9 Ende der Lebensdauer







Entsorgung

Entsorgen Sie diesen Ventilator am Ende seiner Lebensdauer ordnungsgemäß gemäß den in Ihrem Gebiet geltenden Vorschriften.

Recycling

Die Hauptmaterialien die in dem Elektromotor verwendet werden, sind Kupfer, Stahl und Aluminium.

Die meisten Ventilatorteile tragen das Recycling-Symbol mit dem Materialkode, um ein ordnungsgemäßes Recycling zu ermöglichen. Einige Teile bestehen aus leicht zu identifizierenden Materialien wie Stahl und tragen kein Recycling-Symbol.

Symbol	Material
	Polypropylen
	ABS (Acrylnitril-butadien-styrol)
	Polyamid
	Glasfaserverstärktem Polypropylen
	Ungesättigte Polyester - Sheet Moulding Compound
	Aluminium

10 EU-Konformitätserklärung

EU-Konformitätserklärung

Hersteller und berechtigt die technischen Unterlagen zu erstellen:

Vostermans Ventilation B.V.
 Parlevinkerweg 54
 5928 NV, Venlo, Niederlande

Wir erklären in alleiniger Verantwortung, dass die Produkte:

Multifan Panel Fan mit Artikelnummern:

- beginnend mit V2E* V4E* V6E* V8E* V2D* V4D* V6D* V6D* oder V8D*

Erfüllen alle relevanten Bestimmungen von:

- Richtlinie 2006/42/EG
- Richtlinie 2014/30/EU
- Richtlinie 2011/65/EU
- Richtlinie 2012/19/EU
- Verordnung (EU) N° 327/2011

Folgende harmonisierte Normen wurden verwendet:

- EN-ISO 12100:2010
- EN 60204-1:2018
- EN ISO 13854:2019
- EN ISO 13857:2019
- EN-ISO 14120:2015

- EN-ISO 13732-1:2008
- EN-ISO 11201:2010
- EN-ISO 11203:2009
- EN-ISO 11204:2010
- EN 61000-6-2:2005/AC:2005
- EN 61000-6-4:2007/A1:2011
- EN 61800-3:2004/A1:2012
- EN 63000:2018

Die folgenden andere technischen Normen und Spezifikationen wurden verwendet:

- ISO/TR 14121-2:2012
- EN 60204-1:2006/AC:2010
- ISO 9001:2015
- EN IEC 61000-6-2:2019
- EN IEC 61000-6-4:2019
- EN IEC 61800-3:2018
- EN 50581:2012
- EN ISO 5801:2017
- EN-ISO 12499:2008
- ISO 13348:2007
- EN-ISO 13857:2008
- EN 349:1993/A1:2008

Venlo, 1-3-2021

H.L.J. Vostermans, CEO



(Fan pro – DoC 2006_42_EC – v2.8)

Glossar

Explosive Atmosphäre

Gemisch aus Luft unter atmosphärischen Bedingungen mit brennbaren Stoffen in Form von Gasen, Dämpfen, Nebeln oder Stäuben, bei dem sich die Verbrennung nach erfolgter Zündung auf das gesamte unverbrannte Gemisch ausbreitet.

Fachperson

Person mit einschlägiger technischer Ausbildung, Schulung oder Erfahrung, die es ermöglicht, Risiken wahrzunehmen und Gefahren zu vermeiden, die bei der Verwendung eines Produkts auftreten.

Table des matières

- 1 Introduction 27**
- 2 Sécurité 27**
- 3 Information..... 28**
 - 3.1 Aperçu 28
 - 3.2 Utilisation prévue..... 28
 - 3.3 Informations techniques 28
 - 3.4 Autres informations 28
- 4 Installation 28**
 - 4.1 Mécanique..... 29
 - 4.2 Installation électrique..... 29
 - 4.2.1 Protection thermique 30
 - 4.2.2 Contrôle de la vitesse 30
- 5 Mise en service..... 30**
- 6 Utilisation 31**
- 7 Entretien..... 31**
 - 7.1 Programme de maintenance 31
 - 7.2 Sujets d'entretien..... 31
 - 7.3 Démontez la protection pour l'entretien 32
- 8 Dépannages et réparations 32**
- 9 Fin de vie..... 34**
- 10 Déclaration de conformité UE 34**
- Glossaire 34

1 Introduction

ATTENTION : AVANT D'UTILISER, NOUS VOUS INVITONS À LIRE ATTENTIVEMENT CES INSTRUCTIONS

CONSERVEZ CES INSTRUCTIONS POUR VOUS Y RÉFÉRER ULTÉRIEUREMENT.

Ces instructions font partie de ce ventilateur et doivent être transmises à tout propriétaire ultérieur et / ou de l'utilisateur.

Contactez votre fournisseur s'il y a des parties de ces instructions que vous ne comprenez pas. Le respect de ces instructions garantira une utilisation sûre et correcte de ce ventilateur.

Groupes cibles

Général

Ces instructions sont destinées à:

- Les installateurs chargés de l'assemblage (le cas échéant) et / ou l'installation mécanique de ce ventilateur.
- Électriciens chargé de l'installation électrique de ce ventilateur.
- Opérateurs chargés du fonctionnement de ce ventilateur.
- Les techniciens de maintenance chargés de l'entretien et le dépannage de ce ventilateur.

Exigences du groupe cible:

- Les installateurs doivent avoir une expérience pertinente suffisante ou une formation dans l'installation de ce type de ventilateurs.
- Un électricien doit être des électriciens qualifiés.

- Les opérateurs doivent avoir une expérience ou une formation pertinente suffisante pour faire fonctionner ce type de ventilateurs.
- Les techniciens de maintenance doivent avoir une expérience ou une formation suffisante et pertinente dans l'entretien et le dépannage de ce type de ventilateurs.



AVIS

Ce ventilateur est destiné à un usage professionnel, industriel ou commercial uniquement.

Emballage

Si les matériaux d'emballage ne sont plus nécessaires, disposer conformément à la réglementation en vigueur dans votre région.

La modification de ce ventilateur

Modification de ce ventilateur sans autorisation écrite de Vostermans Ventilation B.V. n'est pas autorisée.

La garantie sera annulée si ce ventilateur est modifié sans autorisation.

La déclaration de conformité UE n'est plus valable si ce ventilateur est modifié sans autorisation.

Mentions légales / Avertissement

La portée de la livraison peut varier d'images de produits présentés. Ce document a été créé avec beaucoup de soin. Les informations, les instructions et les pièces mentionnées sont à jour à la date de ce document a été publié.

Utilisation inappropriée

Nous déclinons toute responsabilité pour les dommages résultant d'une mauvaise utilisation.

2 Sécurité

Messages de sécurité

Votre sécurité et celle des autres est sont importante. Des messages de sécurité importants sont fournis dans ces instructions.

LIRE ATTENTIVEMENT CES MESSAGES

Un message de sécurité vous signale les dangers potentiels qui pourraient vous blesser ou blesser d'autres personnes. Chaque message de sécurité est précédé d'un symbole de sécurité et l'un des quatre mots de signal: DANGER, AVERTISSEMENT, ATTENTION ou AVIS.

Explication des mots de signaux utilisés dans le présent document



DANGER : Vous serez tué ou gravement blessé si vous ne suivez pas les instructions.






AVERTISSEMENT : Vous pouvez être tué ou gravement blessé si vous ne suivez pas les instructions.

ATTENTION : Vous pouvez être blessé si vous ne suivez pas les instructions.

AVIS : Il est utilisé pour lutter contre les pratiques non liées à des blessures physiques.

Explication des symboles sécurité utilisés

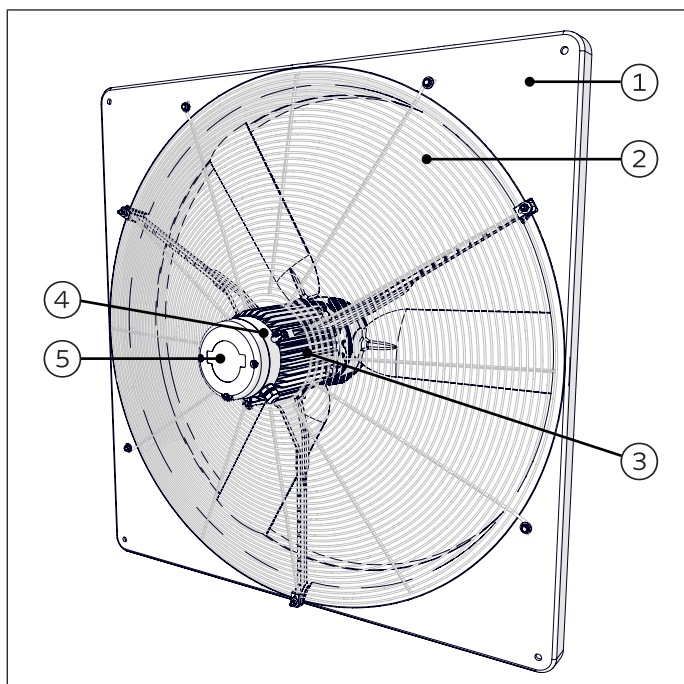
	Symbole d'avertissement général
	Avertissement pour l'électricité

	Attention aux surfaces chaudes
	Avertissement pour les éléments tranchants
	Avertissement pour l'activation automatique
	Avertissement pour les matériaux explosifs
	Signal de comportement obligatoire générique

Remarque: pas tous les symboles listés peuvent être utilisés dans le présent document

3 Information

3.1 Aperçu



1	Boîtier / Plaque murale carrée
2	Protection de l'entrée d'air (accessoire disponible en option)
3	Moteur électrique
4	Plaque d'identification du moteur
5	Plaque d'identification du ventilateur

Les images utilisées dans cette instruction peuvent dévier de votre produit réel que divers modèles de moteur et la roue sont utilisés dans cette série de ventilateur.

Identification du produit

Une plaque d'identification est fixée en permanence au Panel Fan et elle ne doit pas être supprimée.

La plaque d'identification affiche les informations électriques, mécaniques et d'identification.

Chaque ventilateur a un numéro de série numérique unique à 14 chiffres qui est indiqué sur la plaque d'identification. Le numéro de série doit être fourni dans toute correspondance future concernant ce ventilateur car il s'agit de l'information unique utilisée pour identifier le ventilateur en question.

Un QR-code est affiché sur la plaque d'identification. Ce QR-Code contient un lien vers une page d'information sur ce produit. Vous trouverez ici une copie numérique de ces instructions ainsi que d'autres informations sur ce produit.

3.2 Utilisation prévue

Le Panel Fan est destiné à être utilisé dans les systèmes de ventilation générale. Grâce à sa conception robuste, le Panel Fan est particulièrement adapté à la ventilation industrielle et agricole générale. Les usines, les ateliers et les étables à porcs, à volailles et à lait sont des exemples d'applications.

Ce Panel Fan est destiné à être monté sur un mur ou un plafond.



AVIS

Ce ventilateur est destiné à déplacer de l'air seulement.



DANGER

N'utilisez pas ce ventilateur dans des atmosphères explosives ou potentiellement explosives.

3.3 Informations techniques

Pour plus d'informations techniques détaillées s'il vous plaît visitez notre site Web à partir duquel peuvent être consultées et téléchargées fiches techniques.

<http://productselector.vostermans.com>

3.4 Autres informations



DANGER

Défaillance du système de ventilation

Ce Panel Fan est fabriqué selon les plus hauts standards de qualité. Néanmoins, une défaillance d'un ventilateur peut toujours survenir.

Ce ventilateur est destiné à être utilisé en tant que composant d'un système de ventilation. Lorsque la santé et le bien-être des êtres humains et / ou des animaux dépend du fonctionnement de ce système de ventilation, un système de sauvegarde approprié doit être fourni de telle sorte que, en cas de défaillance du système principal, le renouvellement d'air suffisant est garanti pour préserver la la santé et le bien-être des humains et / ou des animaux.

Un système d'alarme, qui fonctionnera même en cas de panne de l'alimentation électrique principale, doit être prévu pour signaler toute défaillance du système.

4 Installation

► Avant de commencer l'installation

1. Vérifiez le ventilateur après avoir reçu et assurez-vous qu'il n'a pas été endommagé pendant le transport.
2. En bref tourner la roue et / ou de l'arbre du moteur à la main pour vous assurer qu'ils tournent librement.
3. Vérifiez toutes les informations figurant sur la plaque d'identification et vérifiez que ce ventilateur convient à l'application prévue.

4.1 Mécanique

Ce ventilateur peut être installé dans tous les sens. Toujours utiliser les quatre trous dans les coins de la plaque murale pour fixer le ventilateur sur le mur ou le plafond.

Trous de drainage

Le moteur du ventilateur a des trous de drainage pour permettre la condensation qui peut se former à l'intérieur du moteur à partir du moteur. Après l'installation, le trou de drainage au point le plus bas du moteur doit être ouvert, les autres trous de drainage doivent être fermés.

Des bouchons de drainage de condensat de réserve sont fournis avec le ventilateur. Conservez tous les bouchons de drainage car ils doivent être temporairement remis en place dans les trous de drainage ouverts pendant le nettoyage humide.

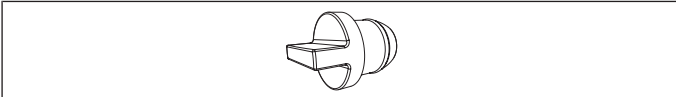


Fig. 1: Bouchon du trou de drainage

Installez toujours le ventilateur de manière à ce que les trous de drainage des condensats soient à la position la plus basse possible.

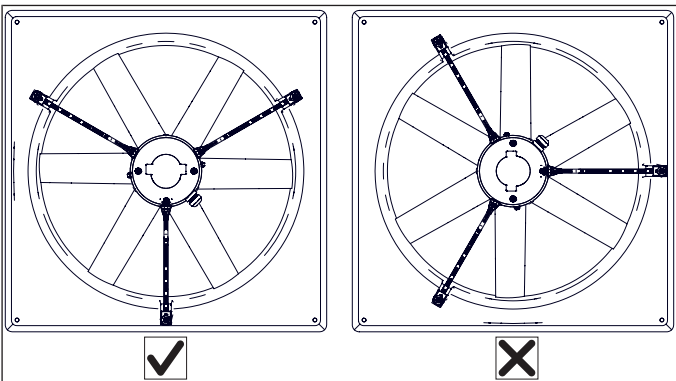


Fig. 2: Trou de drainage des condensats à la position la plus basse possible

Protection



AVIS

Le ventilateur doit être protégé conformément aux réglementations locales

Une protection de l'entrée d'air est disponible en accessoire. Contactez votre fournisseur pour plus d'informations.

4.2 Installation électrique

Schémas de câblage



AVIS

Le raccordement électrique doit être effectué par un électricien qualifié. Les connexions électriques doivent être effectués conformément à la réglementation locale.

Vérifiez la plaque signalétique et vérifiez que ce ventilateur est adapté à l'alimentation électrique disponible.

3 ~ moteurs de ventilateur: vérifiez que ETOILE / TRIANGLE est correctement configuré sur le bornier.

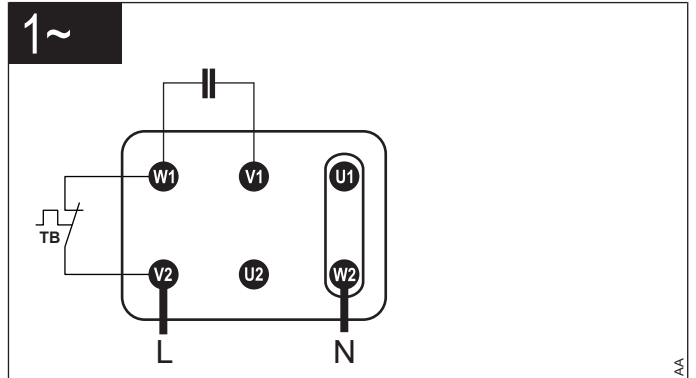


Fig. 3: 1~

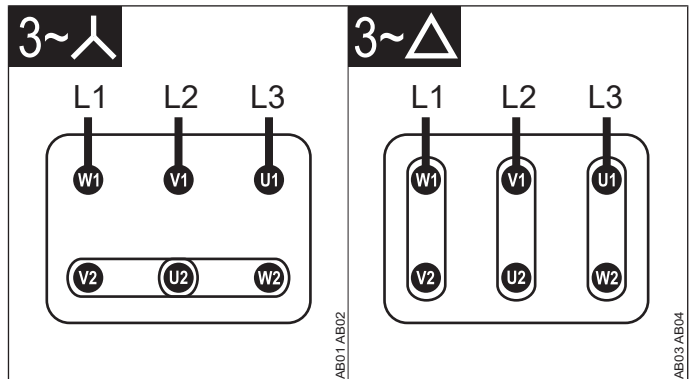


Fig. 4: 3 ~ ETOILE / TRIANGLE (bloc terminal standard)

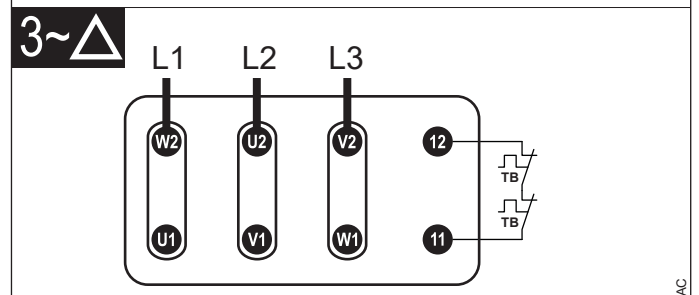
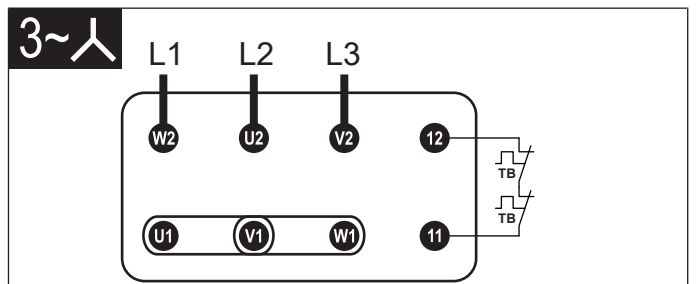



Fig. 5: 3 ~ ETOILE / TRIANGLE avec des détecteurs thermiques facultatifs (thermostats)

Commande

Ce ventilateur est livré sans système de commande ou de commande. Une commande ou un système de commande doivent être fournis pour le fonctionnement du ventilateur.

Mise à la terre

 Le ventilateur doit être relié à la terre. Mettez le ventilateur à la terre conformément aux réglementations locales.

Isolateur

Ce ventilateur est livré sans un isolateur électrique. Un isolateur électrique doit être fournie pour faciliter l'entretien et le dépannage en toute sécurité.

**AVIS****Protection de surintensité**

L'utilisation d'un dispositif de protection contre les surintensités individuels séparés par ventilateur est fortement recommandé.

**AVIS****Protection contre la surcharge**

L'utilisation d'un dispositif de protection de surcharge individuel séparé (disjoncteur de protection du moteur) par ventilateur est fortement recommandé.

4.2.1 Protection thermique**1 ~ protection thermique du moteur du ventilateur**

Les détecteurs thermiques sont intégrés en standard dans 1 ~ moteurs de ventilateur. Les détecteurs thermiques sont du type TB thermostat: thermostat ouverture sur l'augmentation de la température.

Dans 1 ~ moteurs de ventilateur, le thermostat (TB) est par défaut câblé en série avec la phase (L) de l'alimentation. Le moteur se réinitialise automatiquement: en cas de surchauffe, le thermostat arrête automatiquement le moteur et, une fois que le moteur a refroidi, il redémarre automatiquement.

La présence du texte "Thermally Protected" sur la plaque d'identification et/ou la fiche technique indique que la protection thermique est intégrée au moteur du ventilateur 1~ et qu'il est câblé en série avec la phase (L) de l'alimentation.

**AVERTISSEMENT**

Si le démarrage inattendu du moteur par le thermostat peut provoquer un danger ou est interdite par la réglementation locale, le thermostat doit être connecté à un circuit de commande qui ne permettra pas au moteur de redémarrer jusqu'à ce que le circuit est remis à zéro manuellement.


3 ~ protection thermique du moteur du ventilateur (en option)

Les détecteurs thermiques sont disponibles en option en 3 ~ moteurs de ventilateur. Les détecteurs thermiques sont du type TB thermostat: thermostat ouverture sur l'augmentation de la température.

Dans 3 ~ moteurs de ventilateur, les thermostats (TB) sont par défaut branché à des bornes séparées sur le bloc terminal. Un circuit de commande externe peut être connecté ici. **AVIS! Les thermostats des moteurs de ventilateur 3~ ne peuvent pas être câblés en série avec l'alimentation électrique.**

Charge maximale du thermostat (TB)

Lors de la connexion d'un circuit de commande externe pour les thermostats, il faut respecter les limites de charge suivantes:

AC	≤ 500 V
	≤ 1.6 A
	Cos φ ≥ 0.6
DC	≤ 12 V
	≤ 40 A

Tab. 1: Charge maximale du thermostat (TB)

4.2.2 Contrôle de la vitesse

Vérifiez que ce ventilateur est adapté au contrôle de la vitesse. Sur la fiche technique et la plaque d'identification, on trouve les codes (combinaisons de codes) suivants:

F = approprié pour le contrôle de fréquence / VFD (Variable Frequency Drive)

E = approprié pour le contrôle électronique de la tension (TRIAC / coupe de phase)

T = approprié pour le contrôle de la tension du transformateur

**AVERTISSEMENT**

Si aucun de ces codes n'est indiqué, ce ventilateur ne peut pas être contrôlé en vitesse!

Commande à fréquence variable (FC / contrôle de fréquence)

- Ne pas réduire la fréquence à moins de 20% de la fréquence nominale indiquée sur la plaque d'identification.
- Lors de l'utilisation d'un variateur de fréquence, les instructions de câblage du fabricant du variateur de fréquence doivent être suivies.

**AVERTISSEMENT**

N'augmentez pas la fréquence au-delà de la valeur nominale indiquée sur la plaque d'identification

Contrôle électronique de la tension (TRIAC / SOLID-STATE / coupe de phase)

- Ne pas réduire la tension à moins de 40 % de la tension nominale indiquée sur la plaque d'identification.
- Le bruit du moteur (bourdonnante) peut se produire en raison de ce type de contrôle

Contrôle de la tension des transformateurs

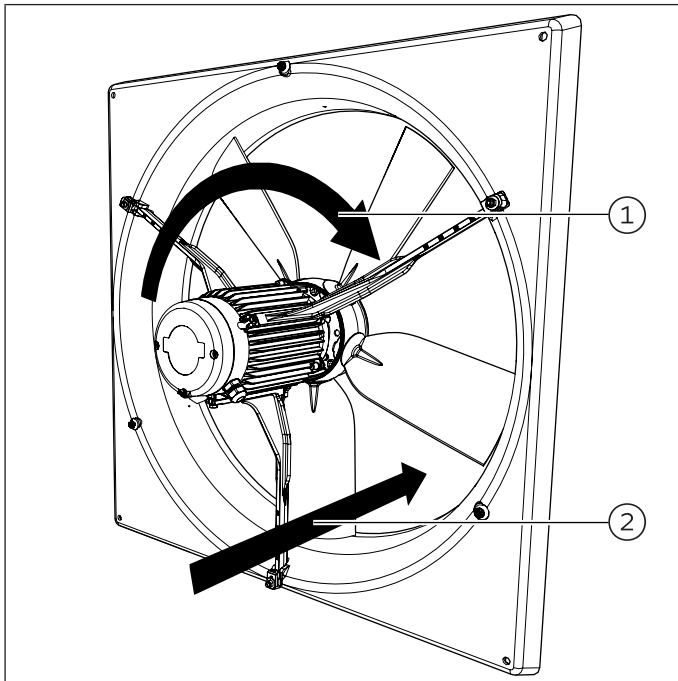
- Ne pas réduire la tension à moins de 40 % de la tension nominale indiquée sur la plaque d'identification.

5 Mise en service**Avant le démarrage initial vérifiez que:**

1. Installation et branchement électrique ont été remplis.
2. Aucun matériel étranger est présent dans le boîtier du ventilateur et le ventilateur.
3. Tous les dispositifs de sécurité nécessaires, tels que les gardes, sont en place.

Démarrage initial

1. Allumez brièvement l'alimentation électrique et vérifiez si la hélice tourne dans le bon sens. Corriger si nécessaire:
 - Pour les ventilateurs 3~, on peut interchanger 2 des 3 phases de l'alimentation.
 - Pour les ventilateurs 1~, contactez votre fournisseur.
2. Faites fonctionner le ventilateur et vérifiez qu'il est silencieux (pas de bruits inhabituels) et qu'il fonctionne avec de faibles vibrations. Vérifiez que le courant absorbé se situe dans les limites de pleine charge indiquées sur la plaque d'identification et la fiche technique.
3. Reportez-vous à la section de dépannage de ces instructions si quelque chose semble hors de l'ordinaire.



1	Sens de rotation de la hélice
2	Direction du flux d'air

6 Utilisation

Soyez toujours vigilant lorsque le ventilateur est en fonctionnement. Éteindre immédiatement le ventilateur et l'isoler de l'alimentation électrique s'il semble y avoir quelque chose qui sort de l'ordinaire. Reportez-vous à la section de dépannage de ces instructions si quelque chose semble hors de l'ordinaire.



DANGER

Si la protection thermique intégrée est en série avec l'alimentation et est activée, le moteur du ventilateur redémarre automatiquement après refroidissement.

Risque de blessure dû à un démarrage inattendu.



ATTENTION

Le moteur du ventilateur peut devenir chaud pendant le fonctionnement

Ne le touchez pas pour éviter les brûlures

Utilisation peu fréquente

Si le ventilateur est utilisé moins d'une fois par mois, faites fonctionner le ventilateur au moins 2 heures par mois à plein régime pour éviter l'accumulation d'humidité dans le moteur du ventilateur et pour maintenir le lubrifiant des roulements en bon état.

7 Entretien



DANGER

Mettre le ventilateur hors tension et l'isoler complètement de l'alimentation électrique avant de commencer l'entretien.



AVERTISSEMENT

Toutes les pièces mobiles doivent être à l'arrêt complet avant de commencer l'entretien.



AVERTISSEMENT

Même lorsqu'ils sont isolés électriquement, les ventilateurs peuvent être soumis à une rotation libre ou à un "fraisage au vent". Fixer la roue à aubes physiquement pour limiter mouvement rotation où cela pose un risque.

7.1 Programme de maintenance

► Les tâches de maintenance – À EFFECTUER TOUS LES MOIS

1. Examinez le cadre du montage pour des défauts éventuels et enlevez la saleté qui s'y est accumulée.
2. Examinez le moteur et enlevez la saleté qui s'est accumulée entre les ailettes de refroidissement du moteur.
3. Vérifiez l'hélice pour des défauts éventuels et enlevez la saleté qui s'y est accumulée.
4. Examinez l'état des protections (si elles existent) et retirez les saletés qui se sont accumulées.

► Les tâches de maintenance – À EFFECTUER TOUS LES 3 MOIS

1. Vérifiez l'état des roulements à billes.
2. Vérifiez le serrage de la visserie et de la fixation

► Les tâches de maintenance - À EXERCER ANNUELLEMENT

1. Uniquement pour les moteurs de ventilateur 1~ : vérifier la capacité du condensateur.

7.2 Sujets d'entretien

Nettoyage

Dans les domaines d'application où les niveaux de contamination sont élevés, les intervalles de nettoyage doivent être ajustés en conséquence.

Le nettoyage se fait de préférence à l'aide d'une brosse douce. Ne pas utiliser de détergents agressifs, de solvants ou de produits chimiques pour le nettoyage.

Nettoyage humide

Nettoyage par voie humide est autorisé en utilisant un jet d'eau propre à basse pression. Éviter autant que possible de diriger les jets d'eau vers les paliers et les connexions électriques.

Quand est prévu le nettoyage humide, il faut fermer tous les trous d'évacuation des condensats ouverts avant de commencer le nettoyage humide.



AVERTISSEMENT

Ne pas utiliser un nettoyeur haute pression.

L'eau peut pénétrer dans les connexions électriques et les roulements.

► Après le nettoyage humide

1. Ouvrir le trou d'évacuation des condensats au point le plus bas du moteur du ventilateur.
2. Faire fonctionner le ventilateur pendant 2 heures à plein régime pour éliminer toute humidité qui aurait pu pénétrer dans le moteur du ventilateur.

Roulements

Les roulements utilisés dans le ventilateur et / ou moteur du ventilateur sont sans entretien et graissés à vie. La durée de vie moyenne pendant le fonctionnement normal est >30.000 heures.

Les défauts des roulements peuvent généralement être détectés par l'écoute. Lorsque l'arbre / roue tourne à la main, il doit se déplacer librement avec un son lisse et uniforme. Les bruits de grincement ou de meulage indiquent que les roulements peuvent nécessiter un remplacement.

Hélice

Nettoyage de la hélice est très important. Une hélice sale souffrira d'un déséquilibre résultant des vibrations. Une hélice sale entraîne également une diminution de la performance du ventilateur et une diminution de son efficacité.

Condensateur (moteur de ventilateur 1~)

La capacité de condensateur diminue lentement avec le temps. La durée de vie moyenne est de ± 30.000 heures. Remplacer le condensateur lorsque la capacité est tombée en dessous de la valeur comme indiqué sur le condensateur.

7.3 Démontez la protection pour l'entretien

Uniquement en cas de montage de la protection disponible en option. [▶ Voir aussi page 3]

1. Desserrer les écrous (3x, ne retirez pas complètement)
2. Pour 56-71cm / 22-28" seulement: Retirer les vis (3x)
3. Pour 92cm / 36 " seulement: Desserrer les vis (4x, ne retirez pas complètement)
4. Faites glisser les clips en plastique vers l'extérieur (3x)
5. Enlever la protection

Réinstallation de la protection:

1. Remettez la protection en place
2. Faites glisser les clips en plastique vers l'intérieur (3x)
3. Fixer les écrous (3x)
4. Pour 56-92cm / 22-36" seulement: Fixer les vis (3x / 4x)

8 Dépannages et réparations



AVERTISSEMENT

Le dépannage et les réparations doivent être effectués uniquement par des personnes qualifiées!

Panne	Cause possible	Solution possible
Débit d'air trop élevé	La vitesse du ventilateur (rpm) trop élevé	Vérifiez la tension d'alimentation et la fréquence
	Système de résistance inférieure à celle spécifiée	Réduisez la vitesse du ventilateur (si le ventilateur peut être contrôlé la vitesse) Choisissez ventilateur alternatif
Débit d'air trop faible	Système de résistance supérieure à celle spécifiée	Choisissez ventilateur alternatif Réduisez la résistance du système
Vibrations excessives	Déséquilibre hélice-> hélice endommagée	Remplacez l'hélice
	Déséquilibre hélice-> sale hélice	Nettoyez l'hélice
	Les roulements sont endommagés ou usés	Remplacer les roulements
Le ventilateur ne démarre pas	Pas d'alimentation fourni ventilateur	Vérifiez toutes les alimentations électriques Vérifiez le fusible / disjoncteur
	(Le cas échéant) VFD (Variable de variateur de fréquence) défectueux	Vérifier le VFD (se reporter aux instructions du fabricant du VFD)
Le ventilateur ne démarre pas (Tension d'alimentation aux bornes du moteur du ventilateur est présent)	Protection thermique activée (Moteur du ventilateur a surchauffé)	Nettoyez le moteur Vérifiez s'il y a surcharge du système de ventilation (aspiration ou échappement bouché?) Vérifiez si la tension d'alimentation ne soit pas trop élevée ou trop faible
	L'hélice est bloquée	Retirez le blocage
	Uniquement pour les moteurs de ventilateur 1~ : condensateur incorrect ou défectueux	Remplacez le condensateur
	Température trop basse pour la graisse dans les roulements	Ne pas faire fonctionner le ventilateur en dehors de la plage de température ambiante indiquée sur la plaque d'identification et la fiche technique
Le moteur du ventilateur surchauffe pendant le fonctionnement	Le ventilateur est surchargé	Vérifiez s'il y a surcharge du système de ventilation (aspiration ou échappement bouché?)
	Le moteur du ventilateur a surchauffé en raison de la saleté dans les ailettes de refroidissement.	Nettoyez le moteur
	Tension d'alimentation trop élevée ou trop faible	Vérifiez l'alimentation électrique
	Fréquence d'alimentation incorrecte	Vérifiez l'alimentation électrique

Panne	Cause possible	Solution possible
	Uniquement pour moteurs 3 ~: déséquilibre de tension de phase	Vérifiez l'alimentation électrique
	Uniquement pour les moteurs 1~: condensateur incorrect ou défectueux	Remplacez le condensateur
Le ventilateur tourne dans le mauvais sens	Moteurs de ventilateur 1~: condensateur mal branché	Se connecter selon le schéma de branchement (contact avec le fournisseur)
	Moteurs de ventilateur 3~: alimentation mal raccordée	Échangez quelconque 2 des 3 phases de l'alimentation
La vitesse du ventilateur (rpm) est trop faible	La tension d'alimentation est trop faible	Vérifiez l'alimentation électrique
	Fréquence d'alimentation incorrecte	Vérifiez l'alimentation électrique
	Uniquement pour ventilateurs 1~ : condensateur incorrect ou défectueux	Remplacez le condensateur
	Uniquement pour les ventilateurs de 3~: ETOILE au lieu de TRIANGLE connecté	Se connecter TRIANGLE Vérifiez le schéma de branchement!
	Moteurs de ventilateur 3~: Défaut de phase	Restauration des 3 phases
Consommation d'énergie élevée	Le ventilateur est surchargé	Vérifiez s'il y a surcharge du système de ventilation (aspiration ou échappement bouché?)
	La vitesse du ventilateur trop élevée	Vérifiez la tension d'alimentation et la fréquence
Bruits inhabituels ou excessifs	Hélice frappe boîtier du ventilateur	Vérifier l'installation et les fixations et l'alignement
	Le ventilateur fonctionne au point de décrochage	Réduisez la résistance du système (aspiration ou échappement bouché)
	Les roulements sont endommagés ou usés	Remplacer les roulements

Des instructions détaillées de réparation et de remplacement sont disponibles auprès de votre fournisseur ou de Vostermans Ventilation B.V.

Il est fortement recommandé d'utiliser des pièces d'origine pour le service et la réparation.

9 Fin de vie







Élimination

A la fin de la vie de ce ventilateur, disposer correctement conformément à la réglementation en vigueur dans votre région.

Recyclage

Les principaux matériaux utilisés dans le moteur électrique sont le cuivre, l'acier et l'aluminium.

La plupart des pièces du ventilateur portent le symbole de recyclage avec le code de matériau indiqué pour faciliter un recyclage approprié. Certaines pièces sont faites de matériaux faciles à identifier, comme l'acier, et ne portent aucun symbole de recyclage.

Symbole	Matériau
	Polypropylène
	ABS (Acrylonitrile Butadiène Styrène),
	Polyamide
	Polypropylène renforcé de fibres de verre
	Composé de moulage en feuille (CMF)
	Aluminium

10 Déclaration de conformité UE

Déclaration de conformité UE

Fabricant et autorisé à constituer le dossier technique:

Vostermans Ventilation B.V.
 Parlevinkerweg 54
 5928 NV, Venlo, Pays-Bas

Nous déclarons sous notre seule responsabilité que les produits:

Multifan Panel Fan avec les numéros de pièce:

- en commençant par V2E *, V4E *, V6E *, V8E *, V2D *, V4D *, V6D * et * V8D

Remplir toutes les dispositions pertinentes:

- Directive 2006/42/EC
- Directive 2014/30/EU
- Directive 2011/65/EU
- Directive 2012/19/EU
- Règlement (UE) N° 327/2011

Les normes harmonisées suivantes ont été utilisées:

- EN-ISO 12100:2010
- EN 60204-1:2018
- EN ISO 13854:2019

- EN ISO 13857:2019
- EN-ISO 14120:2015
- EN-ISO 13732-1:2008
- EN-ISO 11201:2010
- EN-ISO 11203:2009
- EN-ISO 11204:2010
- EN 61000-6-2:2005/AC:2005
- EN 61000-6-4:2007/A1:2011
- EN 61800-3:2004/A1:2012
- EN 63000:2018

Les autres normes et spécifications techniques suivantes ont été utilisées:

- ISO/TR 14121-2:2012
- EN 60204-1:2006/AC:2010
- ISO 9001:2015
- EN IEC 61000-6-2:2019
- EN IEC 61000-6-4:2019
- EN IEC 61800-3:2018
- EN 50581:2012
- EN ISO 5801:2017
- EN-ISO 12499:2008
- ISO 13348:2007
- EN-ISO 13857:2008
- EN 349:1993/A1:2008

Venlo, 1-3-2021

H.L.J. Vostermans, PDG



(Fan pro – DoC 2006_42_EC – v2.8)

Glossaire

Atmosphère explosive

Mélange avec l'air, dans les conditions atmosphériques, de substances inflammables sous forme de gaz, vapeurs, brouillards ou poussières, dans lequel, après inflammation, la combustion se propage à l'ensemble du mélange non brûlé.

Personne qualifiée

Individuel avec l'enseignement technique pertinente, la formation ou de l'expérience afin de permettre la perception des risques et d'éviter les dangers qui se produisent lors de l'utilisation d'un produit.

Índice

1 Introducción..... 35

2 Seguridad..... 35

3 Información..... 36

3.1 Visión general..... 36

3.2 Uso específico..... 36

3.3 Información técnica 36

3.4 Otra información..... 36

4 Instalación..... 36

4.1 Mecánica 37

4.2 Eléctrico..... 37

4.2.1 Protección térmica..... 38

4.2.2 Control de velocidad..... 38

5 Puesta en servicio..... 38

6 Funcionamiento..... 39

7 Mantenimiento 39

7.1 Programa de mantenimiento 39

7.2 Temas de mantenimiento 39

7.3 Desmontaje de la rejilla de protección para el mantenimiento.... 40

8 Solución de problemas y reparaciones 40

9 Fin de vida útil 42

10 Declaración UE de Conformidad 42

Glosario..... 42

1 Introducción

IMPORTANTE: LEA LAS INSTRUCCIONES CUIDADOSAMENTE ANTES DE USARLO

CONSERVE ESTAS INSTRUCCIONES PARA FUTURAS CONSULTAS

Estas instrucciones son una parte de este ventilador se debe entregar al propietario y / o usuario posterior.

Póngase en contacto con su proveedor si hay partes de estas instrucciones que no comprende. El cumplimiento de estas instrucciones asegurará un uso seguro y correcto de este ventilador.

Los grupos objetivo

General

Estas instrucciones están destinadas a:

- Los instaladores encargados del montaje (si procede) y/o la instalación mecánica de este ventilador.
- Los electricistas encargados de la instalación eléctrica de este ventilador.
- Los operadores encargados del funcionamiento de este ventilador.
- Los técnicos de mantenimiento encargados del mantenimiento y la solución de problemas de este ventilador.

Requisitos del grupo objetivo:

- Los instaladores deben tener suficiente experiencia o entrenamiento relevante en la instalación de este tipo de ventiladores.
- Los electricistas deben ser electricistas cualificados.

- Los operadores deben tener suficiente experiencia o formación pertinente en el manejo de este tipo de ventiladores.
- Los técnicos de mantenimiento deben tener suficiente experiencia o capacitación pertinente en el mantenimiento y la solución de problemas de este tipo de ventiladores.



AVISO

Este ventilador es sólo para uso profesional, industrial o comercial.

Embalaje

Si ya no se requieren los materiales de embalaje, disponer de ellos de acuerdo con las regulaciones que se aplican en su área.

Modificación de este ventilador

No está permitido modificar este ventilador sin el permiso escrito de Vostermans Ventilation B.V.

La garantía quedará anulada cuando se modifique este ventilador sin permiso.

La Declaración UE De Conformidad ya no es válida si este ventilador se modifica sin permiso.

Aviso legal

Lo que está suministrado puede variar con respecto a las imágenes de los productos mostradas. Este documento fue creado con el debido cuidado. La información, las instrucciones y las piezas que se indican son actuales en la fecha de emisión de este documento.

Uso indebido

No se acepta ninguna responsabilidad por los daños que resulten de un uso inadecuado.

2 Seguridad

Mensajes de seguridad

Su seguridad y la de los demás es muy importante. En estas instrucciones se incluyen importantes mensajes de seguridad.

LEA ESTOS MENSAJES ATENTAMENTE

Esta información le alerta sobre los peligros potenciales que podrían dañarle a usted o a los demás. Cada mensaje de seguridad está precedido por un símbolo de seguridad y una de las cuatro palabras de señalización: PELIGRO, ADVERTENCIA, ATENCIÓN o AVISO.

Explicación de las palabras clave utilizadas en este documento



PELIGRO : Usted morirá o resultará gravemente herido si no sigue las instrucciones.






ADVERTENCIA : Usted puede morir o sufrir lesiones graves si no sigue las instrucciones.

ATENCIÓN : Puede ser herido si no sigue las instrucciones.

AVISO : Se utiliza para referirse a actividades no relacionadas con lesiones físicas.

Explicación de los símbolos de seguridad utilizados

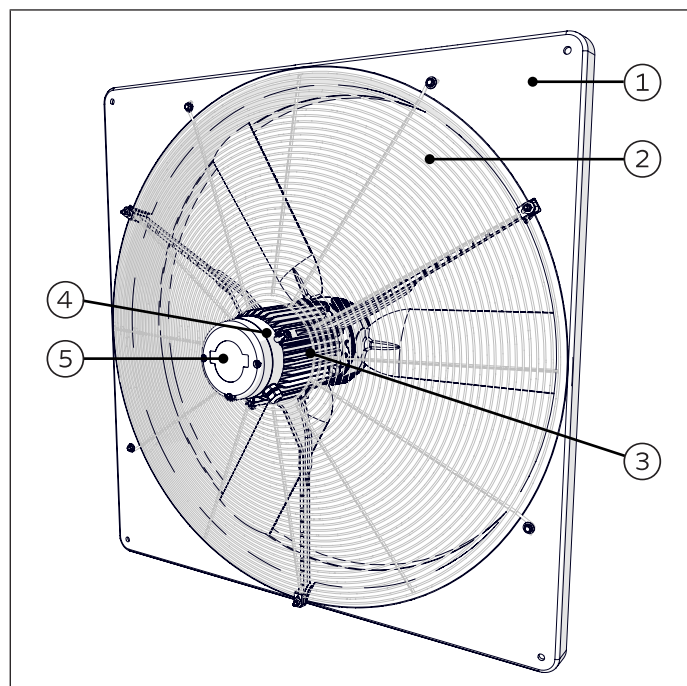
	Símbolo de advertencia general
	Advertencia para la electricidad

	Advertencia para superficies calientes
	Advertencia para elementos afilados
	Advertencia para la activación automática
	Advertencia para materiales explosivos
	Señal general de acción obligatoria

Observación: no todos los símbolos que figuran puede ser utilizado en el presente documento

3 Información

3.1 Visión general



1	Carcasa / Placa de pared cuadrada
2	Rejilla de protección entrada de aire (accesorio opcional disponible)
3	Motor eléctrico
4	Placa de características del motor
5	Placa de características del ventilador

Las imágenes utilizadas en estas instrucciones pueden diferir del producto real, ya que en esta serie de ventiladores se utilizan varios modelos de motores e hélices.

Identificación del producto

Una placa de características está fijada permanentemente al Panel fan Y no se debe quitar.

La placa de características muestra información eléctrica, mecánica y de identificación.


Cada ventilador tiene un número de serie numérico único de 14 dígitos que aparece en la placa de características. El número de serie debe ser proporcionado en cualquier correspondencia futura relacionada con este ventilador, ya que es la única información utilizada para identificar al ventilador en cuestión.


En la placa de características aparece un código QR. Este código QR contiene un enlace a una página de información sobre este producto. Aquí puede encontrar una copia digital de estas instrucciones, así como otra información sobre este producto.

3.2 Uso específico

Este Panel fan está diseñado para su uso como componente de un sistema de ventilación. El diseño robusto hace que este Panel fan esté especialmente adecuado para ventilación industrial y agrícola general. Ejemplos de aplicaciones son fábricas, talleres y granjas porcinas, avícolas y lecheras.

Esto Panel fan es para montar en la pared o en el techo.

 **AVISO**
Este ventilador está diseñado para mover aire solamente.


 **PELIGRO**
No utilice este motor en atmósferas explosivas o potencialmente explosivas.

3.3 Información técnica

Para obtener información técnica detallada, visite nuestro sitio web desde el que se pueden ver y descargar las fichas técnicas.

<http://productselector.vostermans.com>

3.4 Otra información

 **PELIGRO**
Fallo del sistema de ventilación
Los Panel fan son fabricados con los más altos estándares de calidad. Sin embargo, siempre puede ocurrir fallo de un ventilador.
Este ventilador está diseñado para su uso como componente de un sistema de ventilación. Cuando la salud y el bienestar de las personas o de los animales dependan del funcionamiento de este sistema de ventilación, deberá preverse un sistema de reserva adecuado que, en caso de fallo del sistema principal, garantice una renovación suficiente del aire para preservar la salud y el bienestar de las personas o de los animales.
Deberá preverse un sistema de alarma, que funcionará incluso en caso de fallo de la red eléctrica principal, para avisar de cualquier fallo de la misma.

4 Instalación

- **Antes de comenzar la instalación**
1. Compruebe el ventilador después de recibirlo y asegúrese de que no se ha dañado durante el transporte.
 2. Brevemente girar la hélice y/o el eje del motor a mano para asegurarse de que gira libremente.
 3. Compruebe toda la información de la placa de características y compruebe que este ventilador es adecuado para la aplicación deseada.

4.1 Mecánica

Este ventilador puede instalarse en cualquier orientación. Siempre use los cuatro agujeros en las esquinas de la placa de la pared para fijar el ventilador a la pared o al techo.

Agujeros de drenaje de condensado

El motor del ventilador tiene agujeros de drenaje para permitir que la condensación que se puede formar en el interior del motor puede salir del motor. Después de la instalación, el agujero de drenaje en el punto más bajo del motor debe estar abierto, los otros agujeros de drenaje deben estar cerrados.

Los tapones de drenaje de condensado de repuesto se suministran con el ventilador. Mantenga todos los tapones de drenaje, ya que deben volver a insertarse temporalmente en los agujeros de drenaje abiertos durante la limpieza en húmedo.

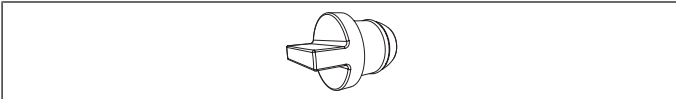


Ilustración 1: Tapón de drenaje de condensado

Siempre instalar el ventilador, como tal, que los orificios de drenaje de condensado están en la posición más baja posible.

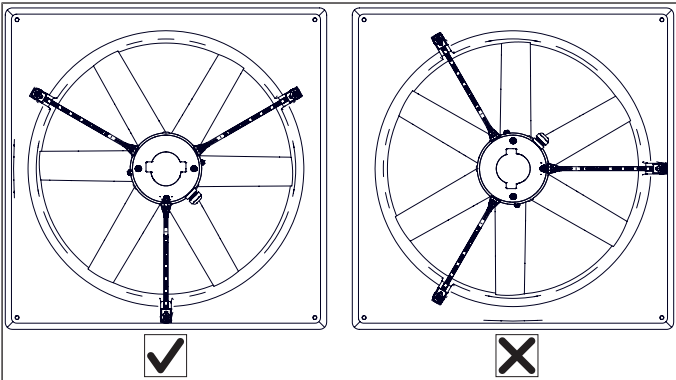


Ilustración 2: Agujero de drenaje de condensado en la posición más baja posible

Protección



AVISO

El ventilador debe estar protegido de acuerdo con las regulaciones locales

Una rejilla de protección entrada de aire está disponible como accesorio opcional. Contacte con su proveedor para obtener más información.

4.2 Eléctrico

Esquema eléctrico



AVISO

Todos los trabajos en equipos eléctricos deben ser realizados por un electricista calificado. Las conexiones eléctricas deben ser hechas de acuerdo con las regulaciones locales.

Compruebe toda la información en la placa de características y comprobar que este ventilador es adecuado para el suministro eléctrico.

Para motores de ventiladores 3~: comprobar que ESTRELLA / DELTA esté correctamente configurado en la regleta de bornes.

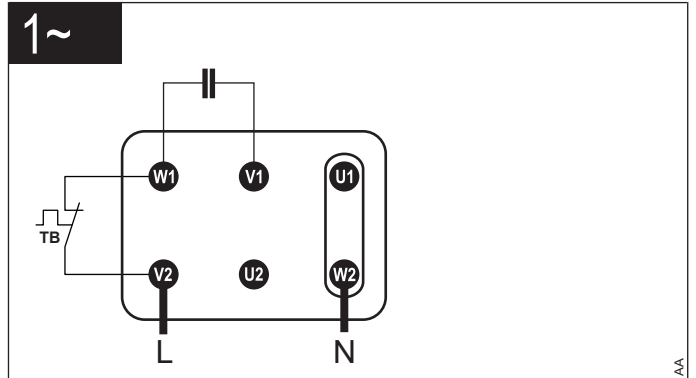


Ilustración 3: 1~

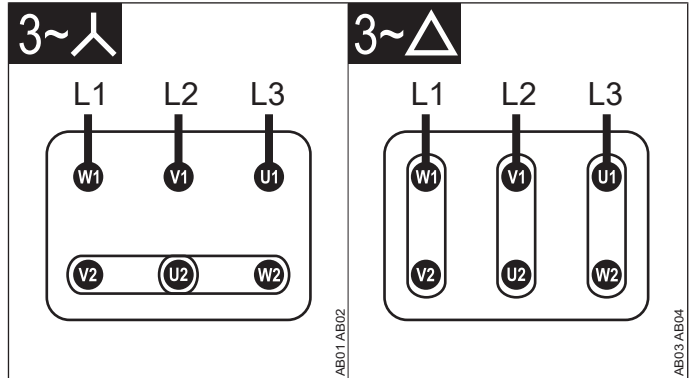


Ilustración 4: 3~ ESTRELLA / DELTA (bloque de terminales estándar)

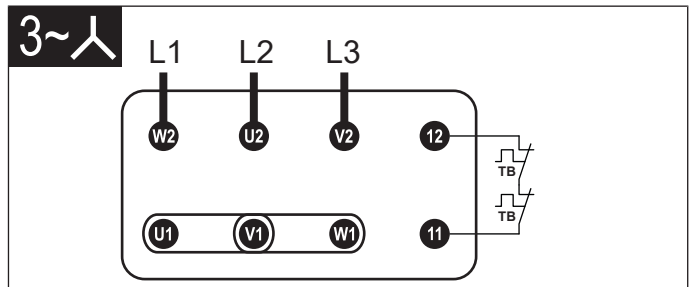



Ilustración 5: 3~ ESTRELLA / DELTA con detectores térmicos opcionales (termostatos)

Control

Este producto se suministra sin control o sistema de control. Para el funcionamiento del ventilador se debe prever un mando o un sistema de mando.

Puesta a tierra

 El ventilador debe estar conectado a tierra. Conecte a tierra el ventilador de acuerdo con las regulaciones locales.

Aislador

Este ventilador se suministra sin aislador eléctrico. Se debe proporcionar un aislador eléctrico para facilitar el mantenimiento seguro y la resolución de problemas.



AVISO

Protección de sobrecorriente

El uso de un dispositivo de protección contra sobrecorriente separada individual por ventilador es muy recomendable.



AVISO

Protección de sobrecarga

El uso de un dispositivo de protección de sobrecarga separado individual (disyuntor de protección del motor) por ventilador es muy recomendable.

4.2.1 Protección térmica

1~ protección térmica del motor del ventilador

Los detectores térmicos están incorporados de serie en los motores de ventiladores 1~. Los detectores térmicos son del tipo termostato TB: apertura del termostato al aumentar la temperatura.

En los ventilador motores 1~, el termostato está conectado por defecto en serie con la fase (L) de la alimentación. Cuando el motor se sobrecalienta, el termostato apagará el motor automáticamente y una vez que el motor se haya enfriado, el motor volverá a arrancar automáticamente.

La presencia del texto "Thermally Protected" en la placa de características y/o en la hoja de datos indica que la protección térmica está incorporada en el motor del ventilador 1~ y que está cableada en serie con la fase (L) de la alimentación.



ADVERTENCIA

Si el arranque inesperado del termostato de reposición automática puede causar un peligro o está prohibido por las regulaciones locales, debe conectarse a un circuito de control que no permita que el motor vuelva a arrancar hasta que el circuito se reajuste manualmente.

3~ protección térmica del motor del ventilador (opcional)

Los detectores térmicos están disponibles opcionalmente en motores de ventilador 3~. Los detectores térmicos son del tipo termostato TB: apertura del termostato al aumentar la temperatura.

En los motores 3~, el termostato está por defecto cableado a terminales separados del bloque de terminales. Aquí se puede conectar un circuito de control externo. **AVISO! Los termostatos en motores 3~ no se pueden cablear en serie con la fuente de alimentación.**

Carga máxima del termostato (TB)

Al conectar un circuito de control externo a los termostatos, deben observarse los siguientes límites de carga:


AC	≤ 500 V
	≤ 1,6 A
	Cos φ ≥ 0,6
DC	≤ 12 V
	≤ 40 A

Tabla 1: Carga máxima del termostato (TB)

4.2.2 Control de velocidad

Verifique que este ventilador sea adecuado para el control de velocidad. En la hoja de datos y en la placa de características se encuentran los siguientes códigos (combinación de los mismos):

F = adecuado para el control de frecuencia / VFD (Variador de Frecuencia)

E = adecuado para el control electrónico de la tensión (TRIAC / corte de fase)

T = adecuado para el control de la tensión del transformador



ADVERTENCIA

Si ninguno de estos códigos aparece en la lista, este ventilador no se puede controlar la velocidad!

Variador de frecuencia (control / frecuencia FC)

- No reduzca la frecuencia a menos del 20% de la frecuencia nominal indicada en la placa de características.
- Cuando se utiliza un variador de frecuencia, las instrucciones de cableado del fabricante del variador de frecuencia se deben seguir.



ADVERTENCIA

No aumente la frecuencia por encima del valor nominal indicado en la placa de características

Control electrónico de la tensión (TRIAC / ESTADO SÓLIDO / corte de fase)

- No reduzca el voltaje a menos del 40% del voltaje nominal indicada en la placa de características.
- Ruido del motor (zumbido) puede ocurrir debido a este tipo de control

Regulación de tensión por transformador

- No reduzca el voltaje a menos del 40% del voltage nominal indicada en la placa de características.

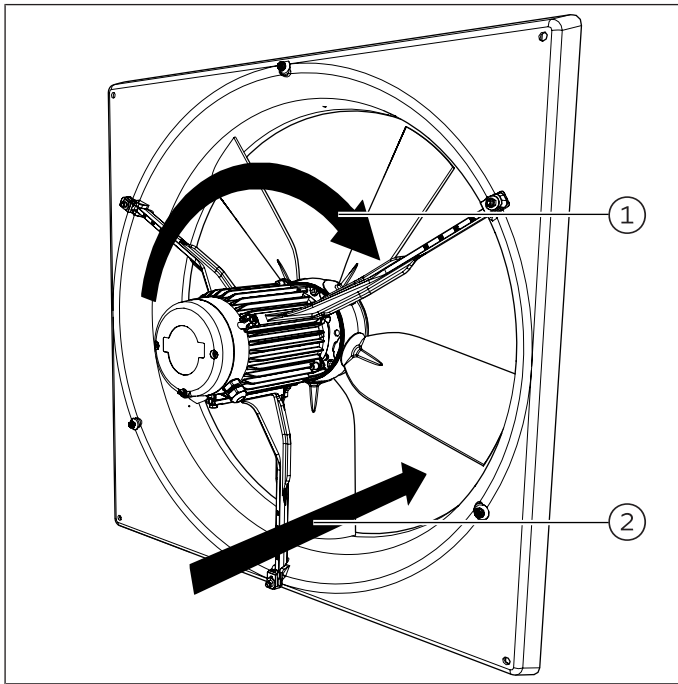
5 Puesta en servicio

Antes de la puesta en marcha inicial, compruebe que:

1. La instalación y la conexión eléctrica se han completado correctamente.
2. No material extraño está presente dentro de la caja del ventilador y ventilador.
3. Todos los dispositivos de seguridad necesarios, como los protectores, están en su lugar.

Puesta en marcha inicial

1. Conecte brevemente la fuente de alimentación y compruebe si la hélice gira en la dirección correcta. Corregir si es necesario:
 - Para 3 ~ ventiladores intercambio cualquier 2 de las 3 fases de la alimentación.
 - Para ventiladores 1~, póngase en contacto con su proveedor.
2. Ponga en marcha el ventilador y compruebe el funcionamiento silencioso (sin ruidos inusuales) y con pocas vibraciones. Compruebe que el consumo de corriente está dentro de los límites de carga máxima indicados en la placa de características y en la hoja de datos.
3. Consulte la sección de solución de problemas de estas instrucciones si algo parece fuera de lo normal.



1	Sentido de rotación de la hélice
2	Dirección del flujo de aire

6 Funcionamiento

Siempre esté alerta cuando el ventilador está en funcionamiento. Inmediatamente desconectar y aislar el ventilador del suministro eléctrico si algo parece fuera de lo común. Consulte la sección de solución de problemas de estas instrucciones si algo parece fuera de lo normal.



PELIGRO

Si el incorporado en la protección térmica está en serie con la fuente de alimentación y se activa, el motor del ventilador automáticamente se volverá a empezar después de haberse enfriado.

Riesgo de lesiones debido a un arranque inesperado.



ATENCIÓN

El motor del ventilador puede calentarse durante el funcionamiento

No lo toque para evitar quemaduras

Uso infrecuente

Si el ventilador se usa con menos frecuencia que una vez al mes, haga funcionar el ventilador cada mes por lo menos 2 horas a toda velocidad para evitar la acumulación de humedad en el motor del ventilador y para mantener el lubricante de los cojinetes en buenas condiciones.

7 Mantenimiento



PELIGRO

Desconectar y aislar completamente el ventilador de la alimentación eléctrica antes de comenzar el mantenimiento.



ADVERTENCIA

Todos los elementos móviles deben estar completamente parados antes de iniciar el mantenimiento.



ADVERTENCIA

Incluso cuando están aislados eléctricamente, los ventiladores pueden ser sometidos a rotación libre debido al viento. Asegure la hélice físicamente para restringir el movimiento de rotación cuando esto represente un riesgo.

7.1 Programa de mantenimiento

► Trabajos de mantenimiento - CADA MES

1. Comprobar si la carcasa del ventilador presenta defectos y eliminar la suciedad acumulada.
2. Comprobar el motor y eliminar la suciedad acumulada en el motor y entre las aletas de refrigeración del motor.
3. Comprobar si hay defectos en la hélice y eliminar la suciedad acumulada.
4. Examine el estado de las protecciones (si están instaladas) y elimine la suciedad que se haya acumulado.

► Trabajos de mantenimiento - CADA 3 MESES

1. Compruebe el estado de los rodamientos.
2. Compruebe el apriete de los tornillos y fijaciones.

► Tareas de mantenimiento - A REALIZAR ANUALMENTE

1. Sólo para motores de ventilador 1~: comprobar la capacidad del condensador.

7.2 Temas de mantenimiento

Limpieza

En las zonas de aplicación en las que existen altos niveles de contaminación, los intervalos de limpieza deberán ajustarse en consecuencia.

La limpieza se realiza preferentemente con un cepillo suave. No utilice detergentes agresivos, disolventes o productos químicos para la limpieza.

Limpieza en húmedo:

Se permite la limpieza en húmedo con agua limpia a baja presión. Evitar dirigir chorros de agua en los cojinetes y las conexiones eléctricas tanto como sea posible.

Cuando se planea la limpieza en húmedo, cierre los agujeros de drenaje de condensado abiertas antes de comenzar la limpieza en húmedo.



ADVERTENCIA

No utilice un limpiador de alta presión!

El agua puede penetrar las conexiones eléctricas y los cojinetes.

► Después de la limpieza en húmedo

1. Abra el agujero de drenaje de condensado en el punto más bajo del motor del ventilador.
2. Ejecutar el ventilador 2 horas a toda velocidad para eliminar cualquier humedad que pueda haber entrado en el motor del ventilador.

Cojinetes

Los cojinetes utilizados en el ventilador y/o motor del ventilador no necesitan mantenimiento y están engrasados de por vida. La vida útil media durante el funcionamiento normal es de más de > 30.000 horas.

Los defectos en los cojinetes pueden ser detectados por la audición. Cuando el eje/la hélice es girado a mano, debe moverse libremente con un sonido suave y uniforme. Chirridos o molienda ruidos indican los cojinetes pueden requerir reemplazo.

Hélice

La limpieza de la hélice es muy importante. Una hélice sucia sufrirá un desequilibrio que provocará vibraciones. Una hélice sucio también reducirá el rendimiento del ventilador y la eficiencia del mismo.

Condensador (1~ motor)

La capacid del condensador disminuye lentamente con el tiempo. La vida util promedia es de ± 30.000 horas. Reemplace el condensador cuando la capacidad haya caído por debajo del valor indicado en el condensador.

7.3 Desmontaje de la rejilla de protección para el mantenimiento

Sólo cuando está montada la rejilla de protección disponible opcionalmente. [▶Ver también página 3\]](#)


1. Afloje las tuercas (3 veces, no las quite completamente)

2. Sólo para 56-71cm / 22-28": Quitar los tornillos (3x)
3. Sólo para 92cm / 36": Afloje las tuercas (3 veces, no las quite completamente)
4. Deslice los clips de plástico hacia fuera (3x)
5. Quitar la rejilla de protección

Reinstalando la rejilla de protección:

1. Colocar la rejilla de protección en su sitio
2. Deslice los clips de plástico hacia dentro (3x)
3. Apretar las tuercas (3x)
4. Sólo para 56-92cm / 22-36": Apretar los tornillos (3x / 4x)

8 Solución de problemas y reparaciones

 **ADVERTENCIA**
La solución de problemas y las reparaciones deben ser realizadas sólo por personas capacitadas!

Fallo	Posible causa	Solución posible
El flujo de aire demasiado alto	La velocidad del ventilador (rpm) está demasiado alta	Comprobar la tensión de alimentación y la frecuencia
	Resistencia del sistema inferior a la especificada	Reducir la velocidad del ventilador (si se puede controlar la velocidad del ventilador) Elija un ventilador alternativo
El flujo de aire demasiado baja	Resistencia del sistema superior a la especificada	Elija un ventilador alternativo Menor resistencia del sistema
La vibración excesiva	Desequilibrio del hélice-> hélice dañado	Reemplace el hélice
	Desequilibrio del hélice-> hélice sucio	Limpie el hélice
	Cojinetes dañados o desgastados	Sustituir los cojinetes
El ventilador no arranca	No hay energía suministrada al ventilador	Comprobar todas las fuentes de alimentación Compruebe el fusible / disyuntor
	(Si está presente) VFD (Unidad de frecuencia variable) defectuoso	Compruebe el VFD (consulte las instrucciones del fabricante del VFD)
El ventilador no arranca (Tensión de alimentación en los terminales del motor está presente)	Protección térmica activada (Motor del ventilador se ha sobrecalentado)	Limpiar el motor Compruebe si hay sobrecarga en el sistema de ventilación (¿está bloqueada la entrada o el escape?) Comprobar si la tensión de alimentación no está demasiado alta o demasiado baja
	Hélice bloqueado	Eliminar la obstrucción
	Sólo para motores 1~: condensador incorrecto o defectuoso	Reemplazar el condensador de arranque
	Temperatura demasiado baja para la grasa de los cojinetes	No haga funcionar el ventilador fuera del rango de temperatura ambiente especificado en la placa de características y en la hoja de datos técnicos
	El motor se sobrecalienta mientras está en marcha	El ventilador está sobrecargado
El motor se sobrecalienta mientras está en marcha	El motor del ventilador se ha sobrecalentado debido a la suciedad en las aletas de refrigeración.	Limpiar el motor
	Tensión de alimentación demasiado alta o demasiado baja	Comprobar la fuente de alimentación
	Frecuencia de alimentación incorrecta	Comprobar la fuente de alimentación
	Sólo para motores 3~: desequilibrio de tensión de fase	Comprobar la fuente de alimentación

Fallo	Posible causa	Solución posible
	Sólo para motores 1~: condensador incorrecto o defectuoso	Reemplazar el condensador de arranque
El ventilador gira en la dirección equivocada	1~ motores de ventilador: condensador mal conectado	Conectar según el esquema de conexión (contactar con el proveedor)
	3~ motores de ventilador: alimentación mal conectada	Para 3 ~ ventiladores intercambio cualquier 2 de las 3 fases de la alimentación.
La velocidad del ventilador (rpm) es demasiado baja	La tensión de alimentación es demasiado baja	Comprobar la fuente de alimentación
	Frecuencia de alimentación incorrecta	Comprobar la fuente de alimentación
	Sólo para ventiladores 1~: condensador incorrecto o defectuoso	Reemplazar el condensador de arranque
	Sólo para ventiladores 3~: STAR en lugar de DELTA conectado	Conectar como DELTA Compruebe el diagrama de cableado!
	3~ motores de ventilador: Fallo de fase	Restaurar las 3 fases
Alto consumo de energía	El ventilador está sobrecargado	Compruebe si hay sobrecarga en el sistema de ventilación (¿está bloqueada la entrada o el escape?)
	Velocidad del ventilador demasiado alta	Comprobar la tensión de alimentación y la frecuencia
Ruidos inusuales o excesivos	La hélice golpea la carcasa del ventilador	Comprobar la instalación y las fijaciones y la alineación
	El ventilador funciona fuera de su rango de trabajo	Reducir la resistencia del sistema (Entrada o salida bloqueada)
	Cojinetes dañados o desgastados	Sustituir los cojinetes

Las instrucciones detalladas de reparación y reemplazo están disponibles en su proveedor o en Vostermans Ventilation B.V.

Se recomienda encarecidamente utilizar piezas genuinas sólo para el servicio y las reparaciones.

9 Fin de vida útil

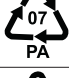
Eliminación

Al final de la vida de este ventilador, disponer de él adecuadamente de acuerdo con las regulaciones que se aplican en su área.

Reciclaje

Los principales materiales usados en el motor eléctrico son de cobre, acero y aluminio.

La mayoría de las piezas del ventilador tienen el símbolo de reciclaje con el código de material listado en ellas para facilitar el reciclaje adecuado. Algunas piezas están hechas de materiales fáciles de identificar, como el acero, y no tienen ningún símbolo de reciclaje.

Símbolo	Material
	Polipropileno
	ABS (acrilonitrilo butadieno estireno)
	Poliamida
	Polipropileno reforzado con fibra de vidrio
	Poliéster insaturado - Compuesto de moldeo en láminas
	Aluminio

10 Declaración UE de Conformidad

Declaración UE de Conformidad

Fabricante y autorizado para elaborar el expediente técnico:

Vostermans Ventilation B.V.

Parlevinkerweg 54

5928 NV, Venlo, Países Bajos

Declaramos bajo nuestra exclusiva responsabilidad que los productos:

Multifan Panel Fan con números de pieza:

- a partir de V2E*, V4E*, V6E*, V8E*, V2D*, V4D*, V6D* y V8D*

Cumplir con todas las disposiciones pertinentes de:

- Directiva 2006/42/CE
- Directiva 2014/30/UE
- Directiva 2011/65/UE
- Directiva 2012/19/UE
- Reglamento (UE) N° 327/2011

Se utilizaron las siguientes normas armonizadas:

- EN-ISO 12100:2010
- EN 60204-1:2018
- EN ISO 13854: 2019
- EN ISO 13857: 2019

- EN-ISO 14120:2015
- EN-ISO 13732-1:2008
- EN-ISO 11201:2010
- EN-ISO 11203:2009
- EN-ISO 11204:2010
- EN 61000-6-2:2005/AC:2005
- EN 61000-6-4:2007/A1:2011
- EN 61800-3:2004/A1:2012
- EN 63000:2018

Se utilizaron las siguientes normas y especificaciones técnicas:

- ISO/TR 14121-2:2012
- EN 60204-1:2006/AC:2010
- ISO 9001:2015
- EN IEC 61000-6-2:2019
- EN IEC 61000-6-4:2019
- EN IEC 61800-3:2018
- EN 50581:2012
- EN ISO 5801: 2017
- EN-ISO 12499:2008
- ISO 13348:2007
- EN-ISO 13857:2008
- EN 349:1993/A1:2008

Venlo, 1-3-2021

H.L.J. Vostermans, CEO



(Fan pro – DoC 2006_42_EC – v2.8)

Glosario

Atmósfera explosiva

Por "atmósfera explosiva" se entiende una mezcla de aire, en condiciones atmosféricas, con sustancias inflamables en forma de gases, vapores, nieblas o polvos en la que, tras la ignición, la combustión se propaga a toda la mezcla no quemada.

Persona capacitada

Persona con la educación técnica, la capacitación o la experiencia pertinentes para poder percibir los riesgos y evitar los peligros que se producen durante el uso de un producto.

Multifan



is a brand of Vostermans Ventilation B.V.



VOSTERMANS
VENTILATION

YOUR SPECIALIST IN AIR

Venlo - The Netherlands
Tel. +31 (0)77 389 32 32
ventilation@vostermans.com

Bloomington, IL- USA
Tel. +1 309 827-9798
ventilation@vostermansusa.com

Tmn Klang Jaya - Malaysia
Tel. +60 (0)3 3324 3638
ventilation@vostermansasia.com

Shanghai - China
Tel. +86 21 5290 2889/2899
ventilation@vostermanschina.com

www.vostermans.com

DocumentID: INS00015-C
Created: 21/05/2021

